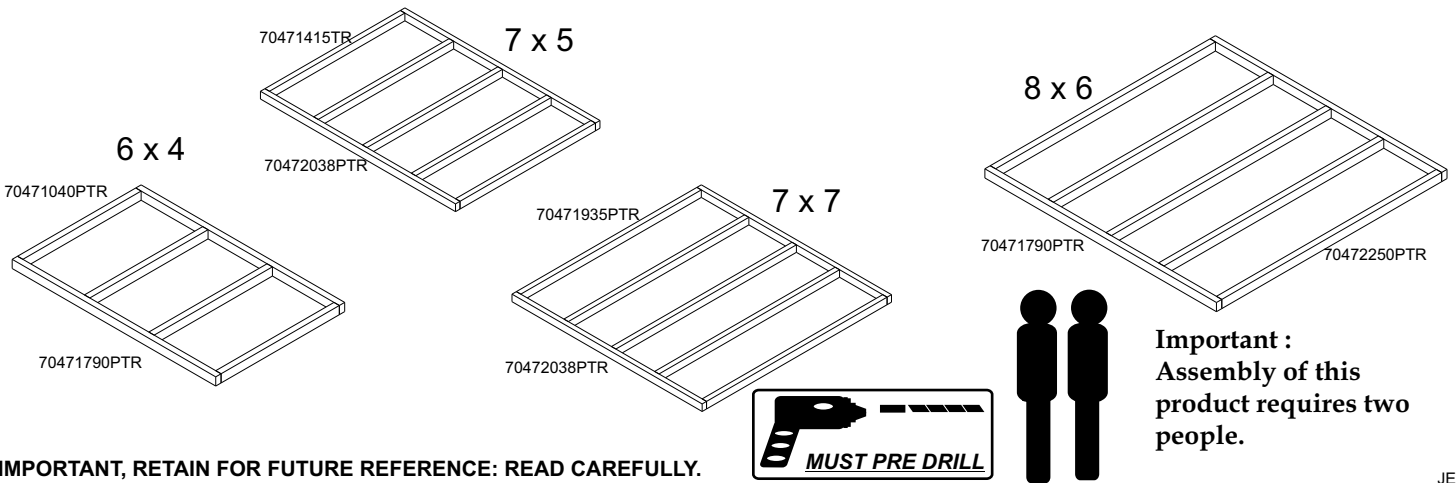


# SHED BASE

0109



**“IMPORTANT, RETAIN FOR FUTURE REFERENCE: READ CAREFULLY.**

**Important :**  
**Assembly of this product requires two people.**

JE

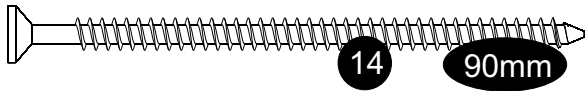
Thank you for choosing this product manufactured by the UK's largest manufacturer of timber garden products. In order to gain the most benefit from it, please note the following:

- Exercise particular care and follow instructions.
- This base is pressure treated.
- Please ensure that you thoroughly check all component parts for quantity and quality before you commence building the product. If there are any missing parts, please contact the help line as shown immediately. The manufacturer cannot be held liable for damaged items once any part of the product has been fitted or altered in any way (e.g. Painted)
- Timber is a natural material. It will shrink and swell as a result of varying moisture content.
- Please keep all plastic bags and small parts away from children in order to reduce the risk of suffocation.
- If there are any technical queries with the product, please contact our customer help line on 0844 248 9853 between the hours of 8.30 am and 5.00 pm Monday to Friday.

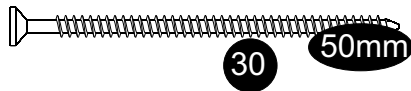
LONG BATTEN
(6x4) 2x70471790PTR
(7x5) 2x70472038PTR
(7x7) 2x70472038PTR
(8x6) 5x70472250PTR

SHORT BATTEN
(6x4) 4x70471040PTR
(7x5) 5x70471415PTR
(7x7) 2x70471935PTR
(8x6) 5x70472250PTR

METAL STAKE 3030380
(6x4) Qty 6
(7x5) (7x7) (8x6) Qty 9



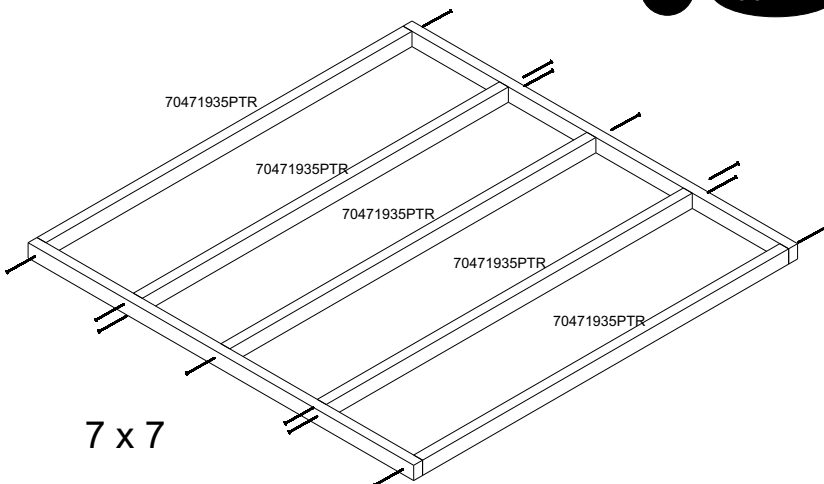
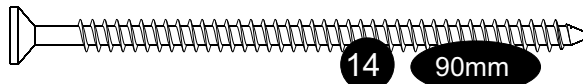
**BASEMFP** (FIXING PACK)



**REQUIRED TOOLS : (NOT SUPPLIED)**

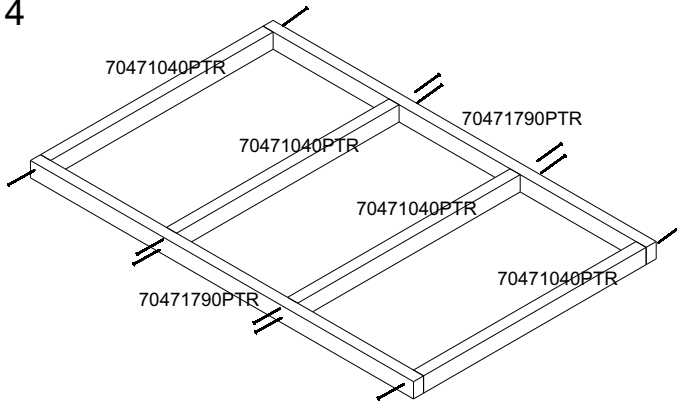


**1**

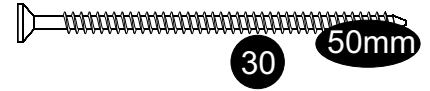


Fix the Battens together as shown making sure the middle (short battens) are equally spaced. Fix in place using 90mm screws. Use 2x90mm screws for each end of the two (short battens) as shown. This applies only for the 7x7, 8x6 and the 7x5 bases.

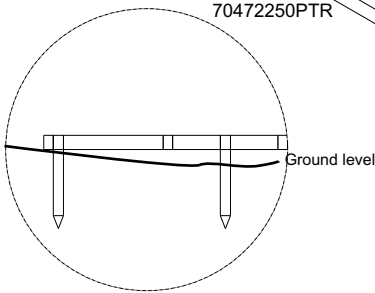
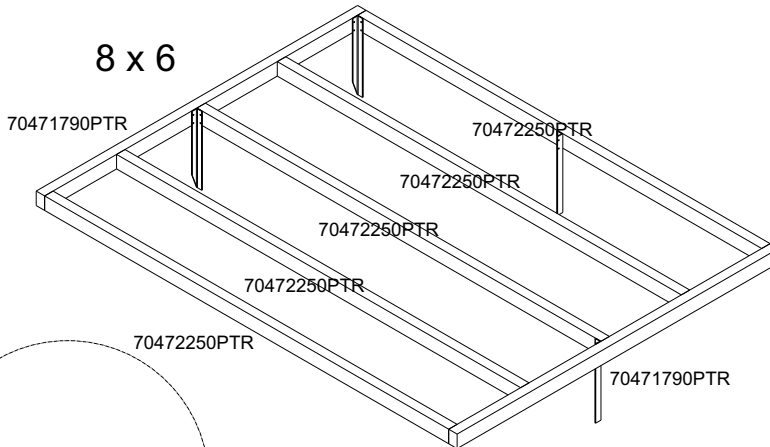
**1** 6 x 4



Fix the Battens together as shown making sure the two middle **70471040PTR** (short battens) are equally spaced. Fix in place using 90mm screws. 2x90mm screws for each end of the middle **70471040PTR** (short battens).



**2** 8 x 6



Position the base in the desired area. Fix a metal stake at the highest corner using 50mm screws. (Make sure the holes are pre-drilled).

Using a spirit level to keep the base level, position the remaining metal stakes into the ground in the correct positions with in the frame. Mark and pre-drill holes on base.

You may need to move the metal stakes as required due to ground obstructions and to keep the base level.

**3** 8 x 6

