

7x5 OVERLAP DOUBLE DOOR APEX SHED PTREAT - ASSEMBLY INSTRUCTIONS

ISSUE 0110



**IMPORTANT :
ASSEMBLY OF THIS
SHED REQUIRES TWO
PEOPLE**

SHOULD YOU REQUIRE ANY ADDITIONAL GUIDANCE WITH THE ASSEMBLY OF YOUR SHED PLEASE CONTACT OUR TECHNICAL HELP LINE ON 0844 248 9853. **IMPORTANT NOTICE : THIS STANDARD FIXING PACK IS UTILISED WITH SEVERAL DIFFERENT BUILDINGS. PLEASE ENSURE THAT YOU ARE USING THE CORRECT INSTRUCTION DOCUMENT FOR ASSEMBLY OF THE SHED YOU HAVE PURCHASED.**

"IMPORTANT, RETAIN FOR FUTURE REFERENCE :READ CAREFULLY

Thank you for choosing this garden building manufactured by the UK's largest manufacturer of timber garden products. In order to gain the most benefit from it, please note the following:
- Exercise particular care and follow instructions whilst cutting the roofing felt. If it is cut incorrectly, additional roofing felt can be inexpensively purchased from most good DIY retailers or garden centres.

- Most buildings are pre-treated with a factory base coat for protection during storage and transit. We recommend that you treat your new building as soon as possible after assembly, using a wood preservative treatment. Apply in accordance with the manufacturers instructions.

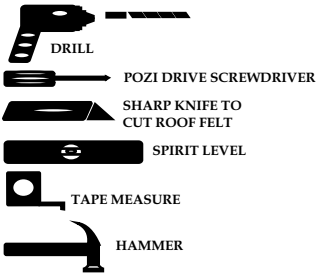
- If there are any technical queries with the product, please contact our customer help line on 0844 248 9853 between the hours of 8.30 am and 5.00 pm Monday to Friday.

- Please ensure that you thoroughly check all component parts for quantity and quality before you commence building the product. If there are any missing parts, please contact the help line as shown immediately. The manufacturer cannot be held liable for damaged items once any part of the product has been fitted or altered in any way (e.g. Painted)

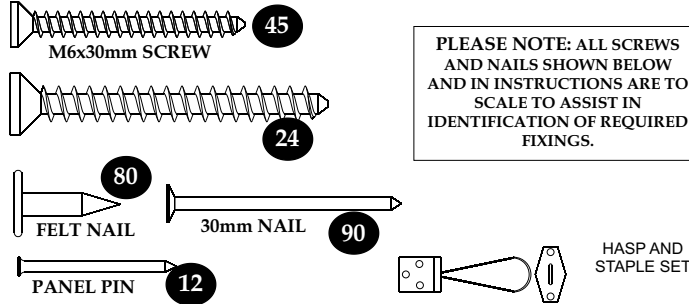
- Timber is a natural material. It will shrink and swell as a result of varying moisture content.

- Please keep all plastic bags and small parts away from children in order to reduce the risk of suffocation.

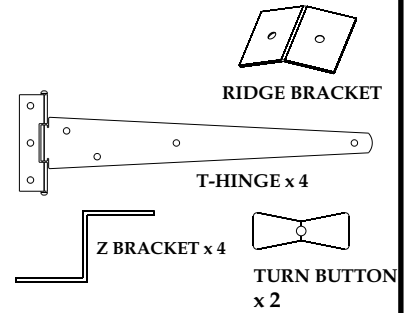
REQUIRED TOOLS : (NOT SUPPLIED)



Fp09 (FIXING PACK) CONTENTS :



PLEASE NOTE: ALL SCREWS AND NAILS SHOWN BELOW AND IN INSTRUCTIONS ARE TO SCALE TO ASSIST IN IDENTIFICATION OF REQUIRED FIXINGS.



COMPONENTS INCLUDED

ADD75PEV2PTR
(PLAIN END)

ADD75FL
(FLOOR)

ADDHMTNGDRPTR
QTY 2 (DOORS)

PW610520
QTY 1 (STYRENE WINDOW)

ADD75DEV2 PTR
(DOOR END)

(Fp09)
FIXING
PACK x 1

FELT x 1
85060

ADD75PSV2PTR
(PLAIN SIDE)

153612208 QTY 2
(OSB FOR ROOF
1536x1220x8)

ADD75WSV2PTR
(WINDOW SIDE)

61081225A1PTR
QTY 4 (TIMBER BARGE BOARD 61x8x1225mm ANGLED PTREAT)

15120585PTR
QTY 3 (TIMBER GLAZING STRIP 15x12x585 PTREAT)

45151520PTR
QTY 4 (TIMBER CORNER STRIP 45x15x1520mm PTREAT)

85009
QTY 1 (PVC TRIM 30x12x610mm)

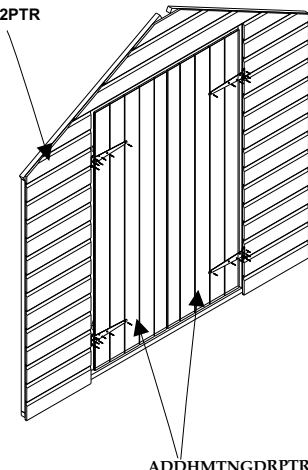
28281452PTR
QTY 2 (TIMBER BATTEN 28x28x1456mm)

28281536PTR
QTY 4 (TIMBER BATTEN 28x28x1536mm)

28281645PTR
QTY 1 (TIMBER BATTEN 28x28x1645mm)

1

ADD75DEV2PTR



ADDHMTNGDRPTR

X 28
7 PER HINGE

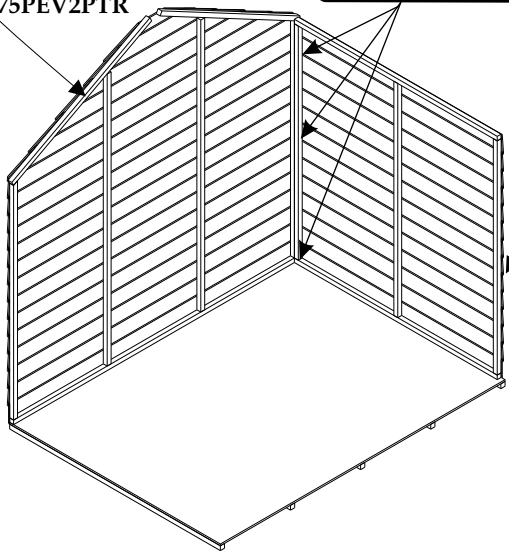
30mm

A) FASTEN TWO HINGES TO EACH **ADDHMTNGDRPTR** (DOOR) AS SHOWN ABOVE USING 30mm SCREWS. SCREWS MUST SECURE INTO THE TWO HORIZONTAL BATTENS ON THE BACK OF THE **ADDHMTNGDRPTR** (DOOR).

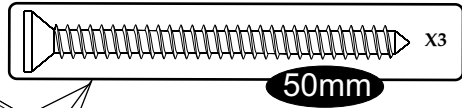
B) PLACE **ADD75DEV2PTR** (DOOR END) FACE UP ON GROUND. LAY EACH **ADDHMTNGDRPTR** (DOOR) ON **ADD75DEV2PTR** (DOOR END) OF SHED ENSURING THAT THE DOOR IS SQUARE WITH EQUAL GAPS TO LEFT AND RIGHT, AND SECURE HINGES TO **ADD75DEV2PTR** (DOOR END) WITH 30mm SCREWS.

2

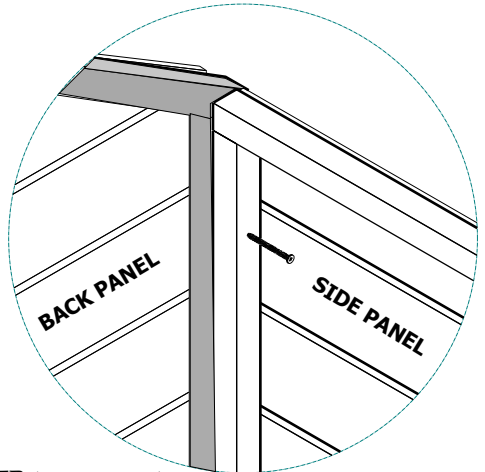
ADD75PEV2PTR



ADD75PSV2PTR



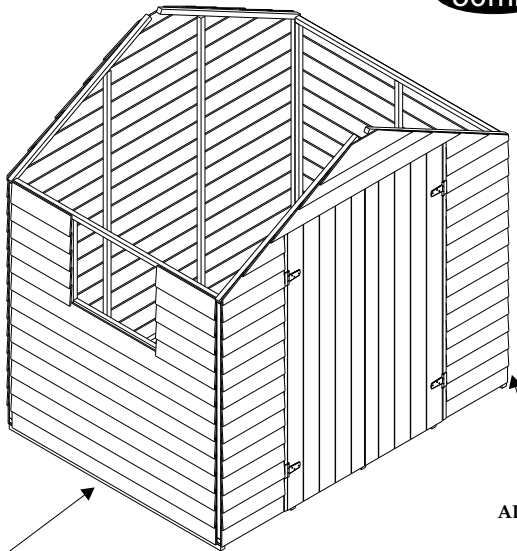
50mm



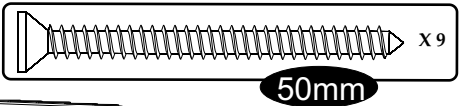
POSITION **ADD75PEV2PTR** (PLAIN END) OF SHED ONTO FLOOR SO THAT THE LEFT AND RIGHT HAND EDGES OF THE PANEL ARE FLUSH WITH THE EDGES OF THE FLOOR. PLACE **ADD75PSV2PTR** (SIDE PANEL) ONTO THE FLOOR AND PLACE UP AGAINST **ADD75PEV2PTR** (END PANEL). SECURE **ADD75PSV2PTR** SIDE PANEL TO **ADD75PEV2PTR** (END PANEL) USING 3 x 50mm SCREWS PLACED AS SHOWN. **DO NOT SECURE THE PANELS TO THE FLOOR AT THIS POINT.**

3

ADD75WSV2PTR



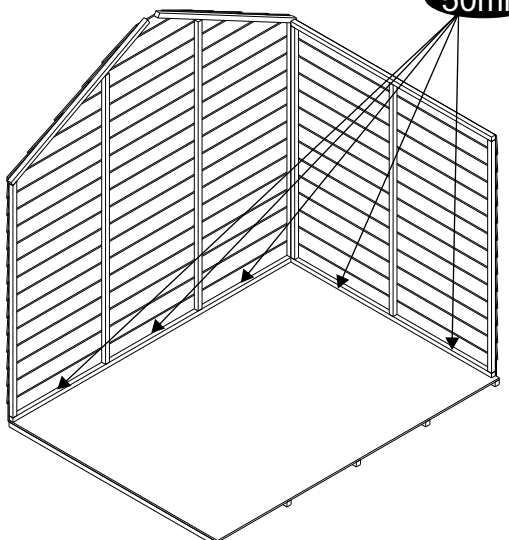
ADD75DEV2PTR



50mm

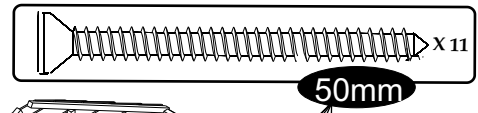
USING PROCEDURE OUTLINED IN STEP 3, POSITION AND SECURE THE REMAINING **ADD75WSV2PTR** (WINDOW PANEL) AND **ADD75DEV2** (DOOR END)

4



ONCE ALL FOUR OF THE PANELS ARE IN PLACE AND FASTENED TOGETHER, SECURE THEM TO THE FLOOR USING 50mm SCREWS. EACH OF THE **ADD75PS2PTR** (PLAIN SIDE) AND **ADD75WS2PTR** (WINDOW SIDE) PANELS REQUIRE 2 SCREWS AND **ADD75PE2PTR** (PLAIN END) AND **ADD75DEV2PTR** (FRONT END) PANELS REQUIRE 3.

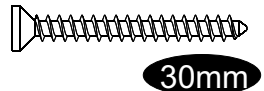
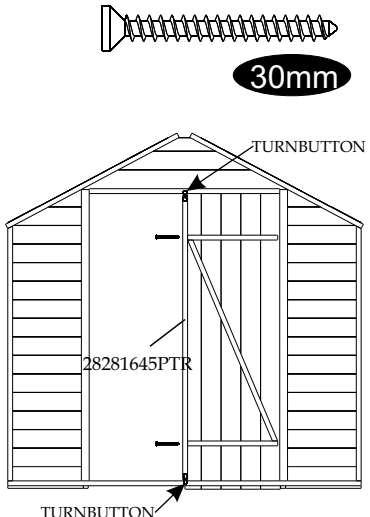
IT IS VITAL THAT ALL SCREWS ARE POSITIONED SO THAT THEY LOCATE INTO FLOOR BEARERS.



50mm

5

STAND INSIDE SHED AND WITH DOOR TO YOUR LEFT OPEN, ATTACH **28281645PTR** (BATTEN) TO DOOR ON YOUR RIGHT WITH TWO 50mm SCREWS. IT IS VITAL THAT THERE IS AN EQUAL GAP BETWEEN THE **28281645PTR** (BATTEN) AND THE DOOR OPENING AT TOP AND BOTTOM. SCREW MUST LOCATE THROUGH **28281645PTR** (BATTEN) INTO EACH OF THE TWO HORIZONTAL BATTENS ON THE DOOR. ONCE **28281645PTR** (BATTEN) IS IN PLACE FASTEN A TURN BUTTON TO THE TOP AND BOTTOM OF IT WITH A 30mm SCREW FOR EACH.

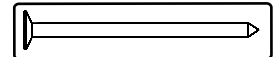
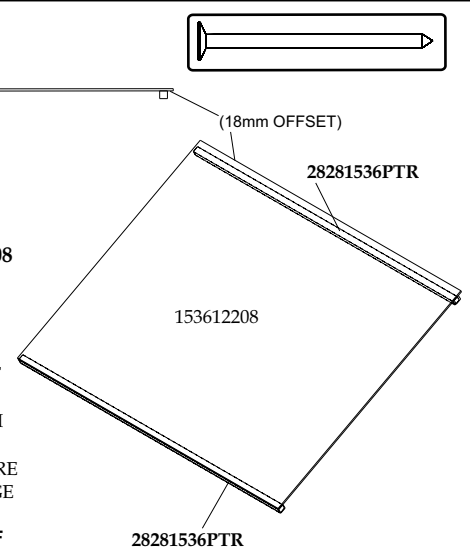


30mm

6

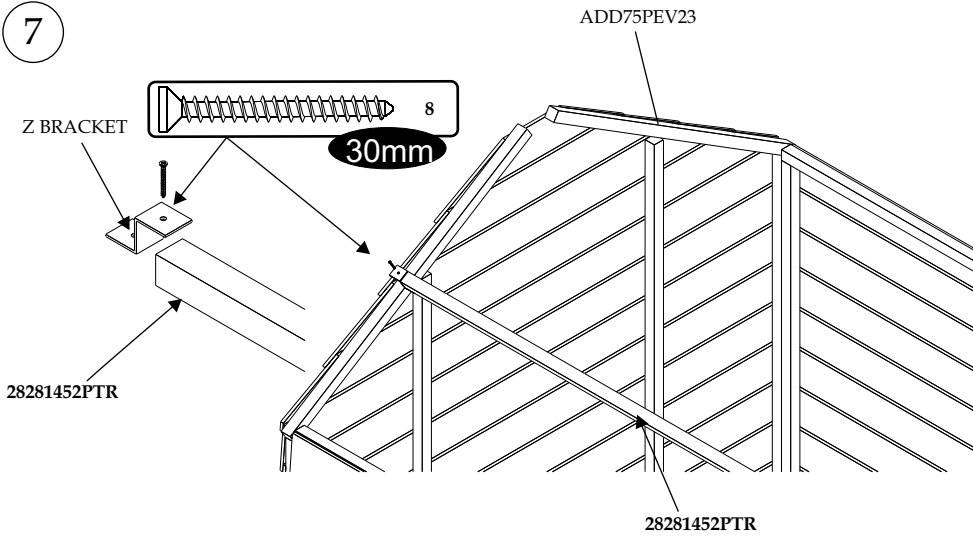
PLACE **153612208** (OSB FOR ROOF) ON TOP OF **28281536PTR** (BATTEN) MAKING SURE THAT IT IS FLUSH AGAINST THE EDGE AND CORNERS OF **153612208** (OSB FOR ROOF). SECURE IN PLACE USING 30mm NAILS THROUGH THE (OSB FOR ROOF) INTO THE **28281536PTR** (BATTEN) AT 300mm INTERVALS. REPEAT THE PROCESS WITH ANOTHER **28281536PTR** (BATTEN) BUT MAKING SURE IT IS OFFSET FROM THE EDGE BY 18mm.

DO THIS FOR BOTH ROOF SECTIONS



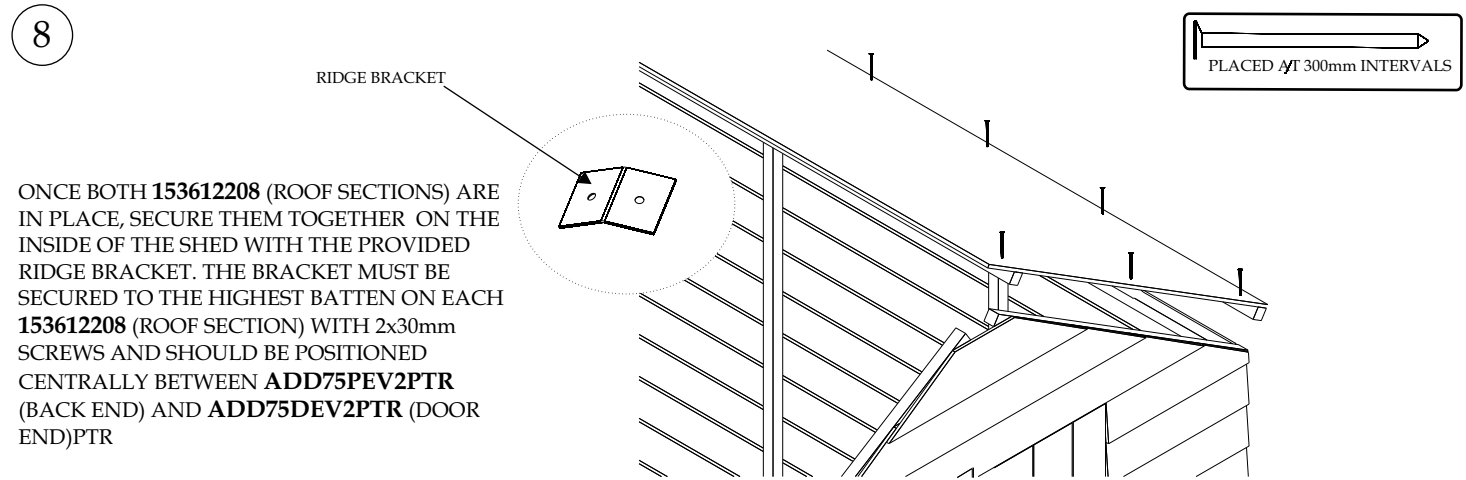
(18mm OFFSET)

7



SECURE 1 "Z" BRACKET TO BOTH ENDS OF A **28281452PTR** (BATTEN) WITH A 30mm SCREW. PLACE **28281452PTR** (BATTEN) WITH "Z" BRACKETS BETWEEN ENDS OF SHED SO THAT THE "Z" BRACKET SITS ON TOP OF THE END SECTION FRAMEWORK AND UNDER THE ROOF BATTEN. THE **28281452PTR** (BATTEN) WITH "Z" BRACKETS SHOULD BE PLACED APPROXIMATELY HALF WAY BETWEEN THE SIDE AND THE MIDDLE OF THE SHED AND THEN SECURED AT BOTH ENDS WITH A 30mm SCREW. REPEAT PROCEDURE WITH SECOND **28281452PTR** (BATTEN) AND REMAINING 2 "Z"

8

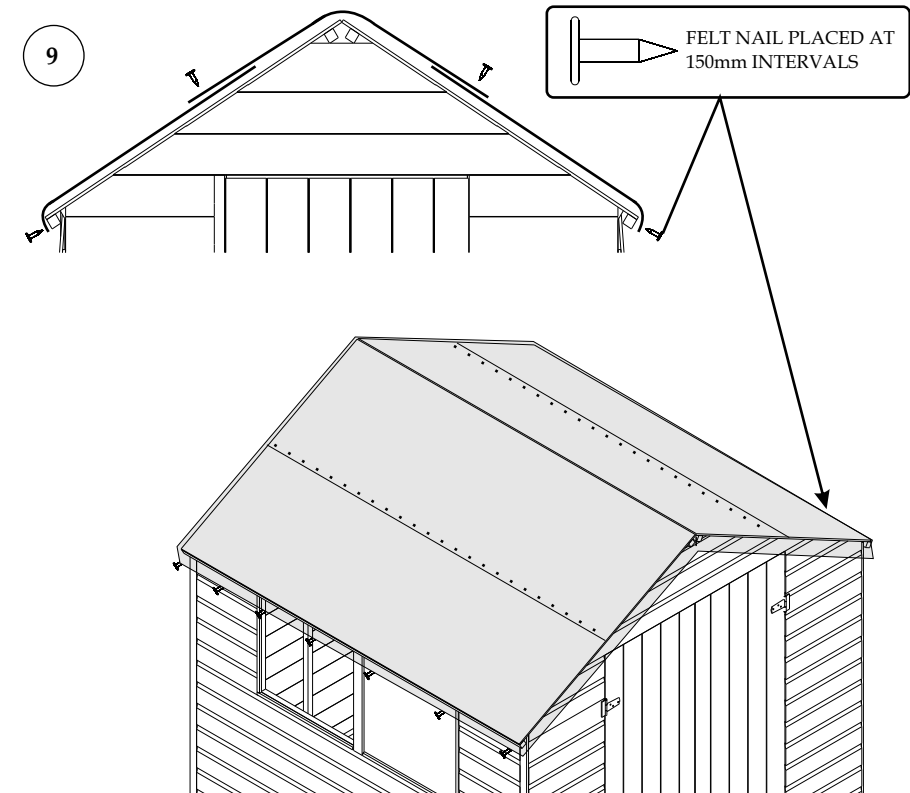


ONCE BOTH **153612208** (ROOF SECTIONS) ARE IN PLACE, SECURE THEM TOGETHER ON THE INSIDE OF THE SHED WITH THE PROVIDED RIDGE BRACKET. THE BRACKET MUST BE SECURED TO THE HIGHEST BATTEN ON EACH **153612208** (ROOF SECTION) WITH 2x30mm SCREWS AND SHOULD BE POSITIONED CENTRALLY BETWEEN **ADD75PEV2PTR** (BACK END) AND **ADD75DEV2PTR** (DOOR END)PTR

PLACE ONE OF THE ASSEMBLED **153612208** (ROOF) SECTIONS ON TOP OF THE SHED. WHEN IN PLACE, THE **153612208** (ROOF) SECTION SHOULD OVERHANG BY EQUAL AMOUNTS AT EITHER END OF THE SHED AND SHOULD BE POSITIONED SO THAT WHEN BOTH **153612208** (ROOF) SECTIONS ARE IN PLACE THEY MEET AT A POINT. SECURE IN PLACE WITH 30mm NAILS PLACED AT 300mm INTERVALS INTO THE FRAMEWORK OF THE SIDES OF THE SHED.

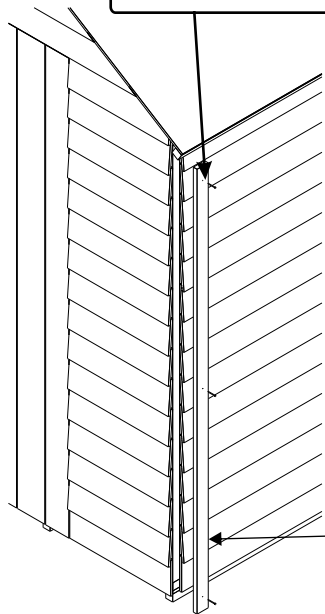
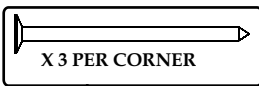
REPEAT THIS PROCEDURE FOR THE REMAINING ROOF SECTION.

9



OPEN ROOFING FELT AND ROLL OUT FLAT ON GROUND. CUT THE FELT INTO THREE EQUAL LENGTHS. PLACE THE FIRST PIECE OF FELT ON THE ROOF SO THAT IT OVERLAPS EQUAL AMOUNTS AT EITHER END OF THE SHED, AND BY APPROXIMATELY 40mm AT THE EAVE (LOWER) SIDE OF THE ROOF. SECURE FELT TO ROOF WITH FELT NAILS PLACED AT 150mm INTERVALS. CUT AND FOLD FELT AT CORNERS AND SECURE FOLD WITH A FELT NAIL. REPEAT PROCEDURE FOR OPPOSITE SIDE OF ROOF. PLACE THE THIRD PIECE OF FELT ON THE APEX OF THE ROOF SO THAT IT OVERLAPS EQUALLY AT EITHER END AND EITHER SIDE OF THE ROOF. SECURE FELT TO ROOF WITH FELT NAILS PLACED AT 150mm INTERVALS ALONG EITHER SIDE.

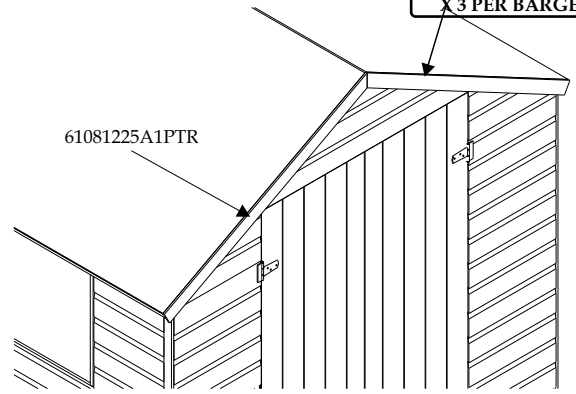
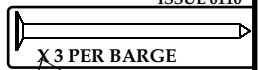
10



SECURE A **45151520PTR** (CORNER STRIP) TO EACH OF THE FOUR CORNERS WITH 3 x 30mm NAILS PER STRIP. NAILS SHOULD BE PLACED APPROXIMATELY AS SHOWN. THE BOTTOM OF **45151520PTR** (CORNER) STRIP SHOULD BE IN LINE WITH BOTTOM OF CLADDING ON SIDE PANELS.

45151520PTR

11

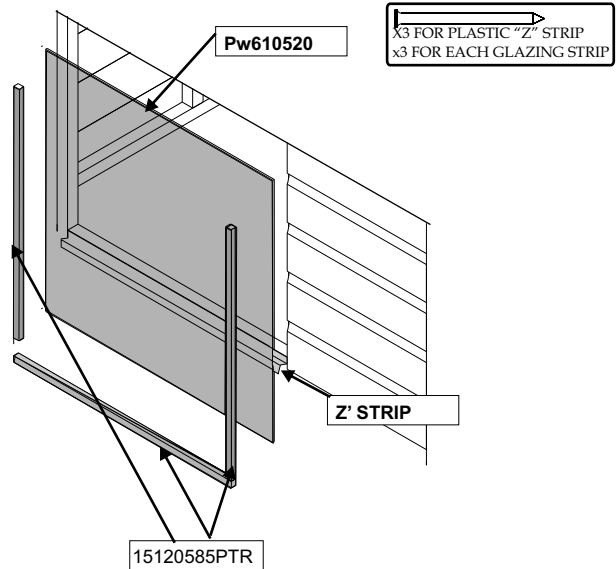


POSITION **61081225A1PTR** (BARGE BOARDS) ON BOTH ENDS OF SHED SO THAT THE TOP EDGE IS IN LINE WITH THE TOP EDGE OF THE ROOF AND THE POINT OF THE **61081225A1PTR** (BARGE BOARD) MEETS UP WITH THE HIGHEST POINT OF THE ROOF. SECURE EACH **61081225A1PTR** (BARGE BOARD) IN PLACE WITH 3 x 30mm NAILS PLACED AS SHOWN ABOVE. TRIM OFF ANY EXCESS FELT THAT IS SHOWING BELOW THE **61081225A1PTR** (BARGE BOARDS).

61081225A1PTR

12

PLACE **85009** (PLASTIC "Z" STRIP) ACROSS BOTTOM OF EACH WINDOW OPENING. THE LONG FACE OF THE Z SHOULD FACE DOWN ON THE OUTSIDE OF THE **ADD75WSP2PTR** (WINDOW SIDE). SECURE IN PLACE WITH 3 PANEL PINS. PLACE **Pw610520** (WINDOW) INTO WINDOW OPENING FROM OUTSIDE OF SHED. THE BOTTOM OF THE **Pw610520** (WINDOW) SHOULD SIT ON TOP OF THE **85009** (PLASTIC "Z" STRIP). PLACE A **15120585PTR** (GLAZING STRIP) ALONG THE BOTTOM OF THE **Pw610610** (WINDOW) ON THE OUTSIDE OF THE SHED AND SECURE IN PLACE WITH 3 PANEL PINS. PLACE A **15210585PTR** (GLAZING STRIP) TO THE LEFT AND RIGHT OF THE **Pw610610** (WINDOW) FROM THE OUTSIDE OF THE SHED AND SECURE EACH IN PLACE WITH 3 PANEL PINS.



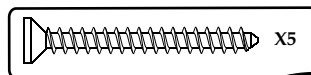
Pw610520

X3 FOR PLASTIC "Z" STRIP
X3 FOR EACH GLAZING STRIP

Z' STRIP

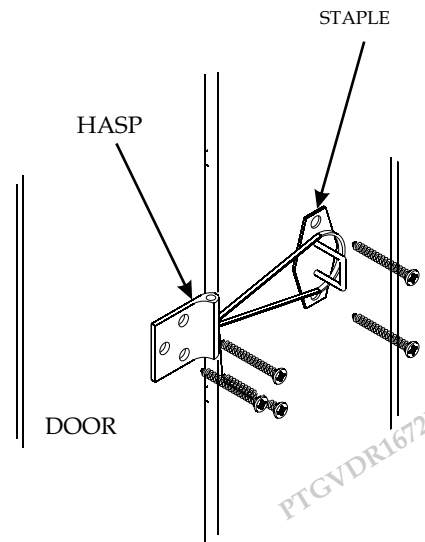
15120585PTR

13



30mm

SECURE HASP TO OUTSIDE OF LH **ADDHMTNGDRPTR** (DOOR) USING 3x30mm SCREWS. THE SCREWS MUST LOCATE INTO THE SHORT HORIZONTAL BATTEN ON THE INSIDE OF THE DOOR. SECURE THE STAPLE TO RH **ADDHMTNGDRPTR** DOOR USING 2 x30mm SCREWS.



HASP

STAPLE

DOOR

PTGVDR1672PTR