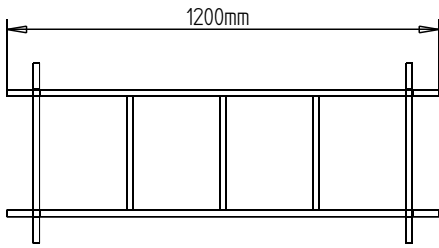
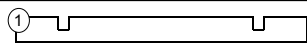
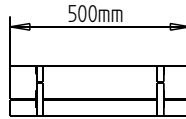
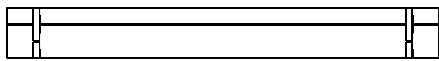
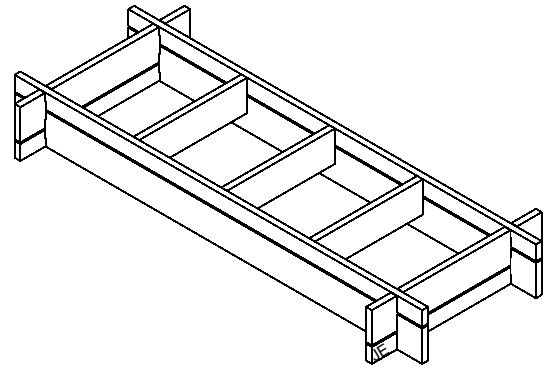


# HERB PLANTER

0409



Assembly of this product only requires one person.



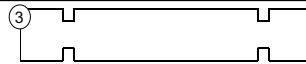
**43170500NPTR**

43x17x500mm NOTCHED  
(QTY 2)



**90170318PTR**

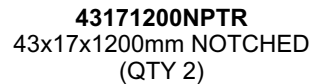
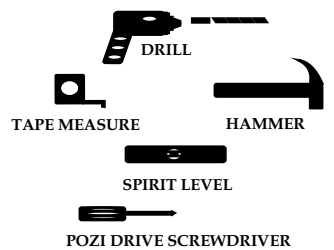
90x17x318mm (QTY 3)



**90170500NPTR**

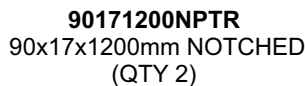
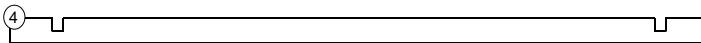
90x17x500mm NOTCHED  
(QTY 2)

**REQUIRED TOOLS : (NOT SUPPLIED)**



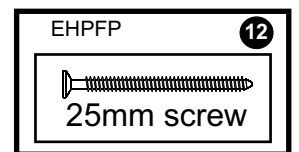
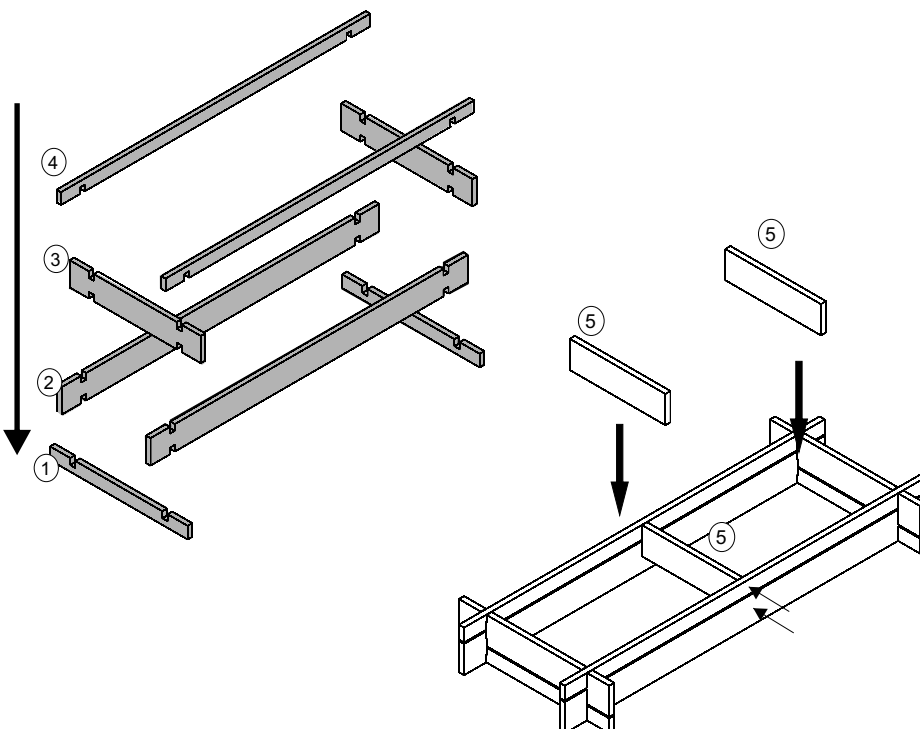
**43171200NPTR**

43x17x1200mm NOTCHED  
(QTY 2)



**90171200NPTR**

90x17x1200mm NOTCHED  
(QTY 2)



Slot the components numbered 1-4 together as shown.

Once the frame is complete place an un-notched board ⑤ in the centre of the frame. Making sure that it is in line with the top of the frame, secure it in place using 2x25mm screws at each end. Repeat the step with the other un-notched boards ⑤.