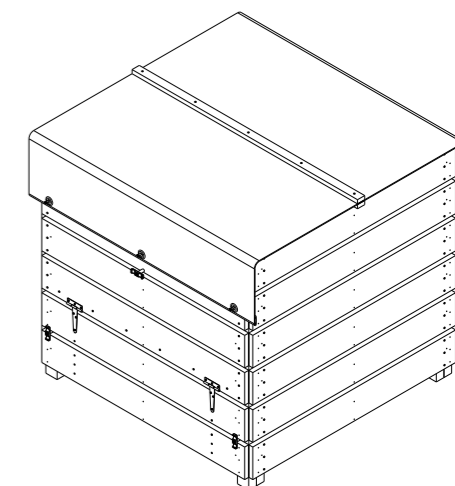
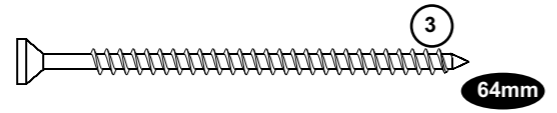
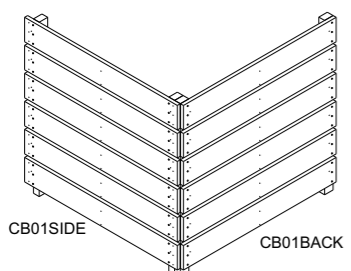


# Composter CB01

0808



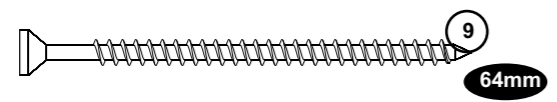
1



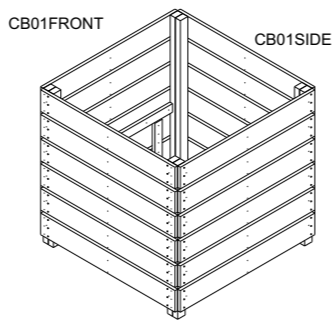
Place the **CB01SIDE** (side panel) and the **CB01BACK** (back panel) together so they are flush as shown. Secure in place using 3 x 64mm screws between the boards and into the battens behind.

Pre drill holes

2

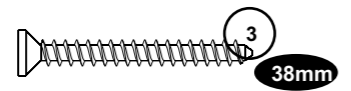
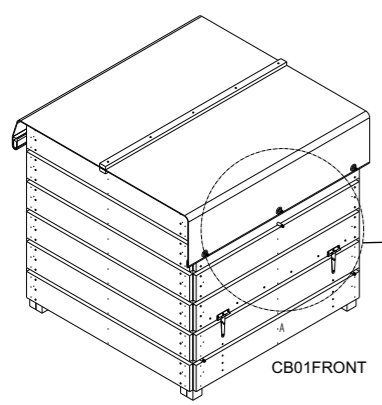


Repeat the procedure for the other **CB01SIDE** (side panel) and **CB01FRONT** (front)



3

CB01LID

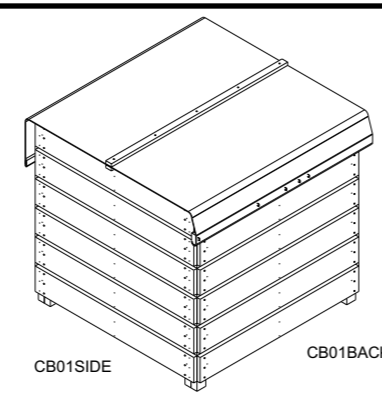


Place the **CB01LID** (lid) so that the side with the eyelets are hanging down over the **CB01FRONT** (front). Secure through the eyelets into the second board down, approximately mid way on the board, using 3 x 38mm screws.

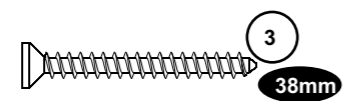
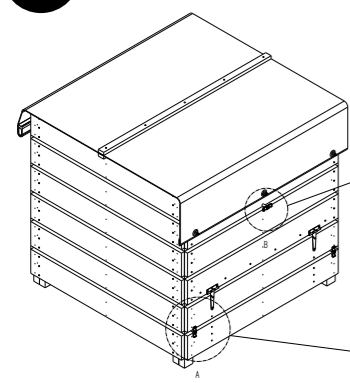
4



Stretch the plastic over the top of the compostier and partly down the **CB01BACK** (back). Keeping the plastic tight roll the wooden batten upwards twice. Secure the batten in place using 2 x 64mm nails at each end, through the top board and into the end of the **CB01SIDE** (side)

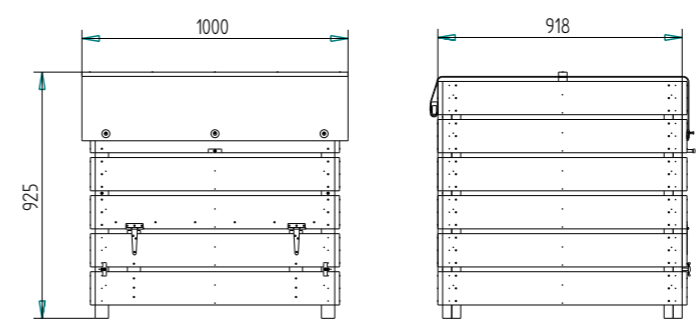


5



Whilst the **CB01FRONT** (front) is in its closed position, place a plastic spacer between the two bottom boards. Place a turn button on top of the spacer and secure through both, into the batten behind using a 38mm screw. Repeat this procedure for the other side.

Place the **CB01FRONT** (front) in its open position, and again using a spacer and a turn button secure these in place as shown.

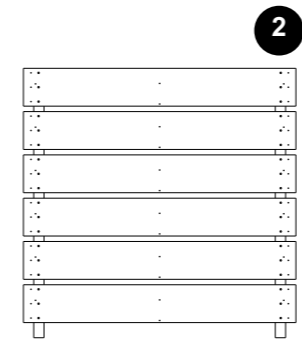


Important : Assembly of this compostier requires one person.

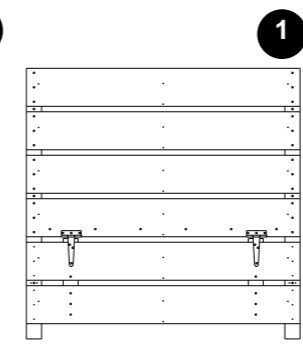


Thank you for choosing this Composter manufactured by the UK's largest manufacturer of timber garden products. In order to gain the most benefit from it, please note the following:

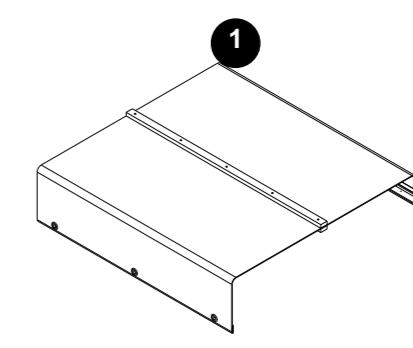
- Exercise particular care and follow instructions.
- This compostier. For extra protection from the elements we recommend that you treat your structure using a wood preservative treatment. Apply in accordance with the manufacturers instructions.
- Please ensure that you thoroughly check all component parts for quantity and quality before you commence building the product. If there are any missing parts, please contact the help line as shown immediately. The manufacturer cannot be held liable for damaged items once any part of the product has been fitted or altered in any way (e.g. Painted)
- Timber is a natural material. It will shrink and swell as a result of varying moisture content.
- Please keep all plastic bags and small parts away from children in order to reduce the risk of suffocation.
- If there are any technical queries with the product, please contact our customer help line on 0844 248 9853 between the hours of 8.30 am and 5.00 pm Monday to Friday.



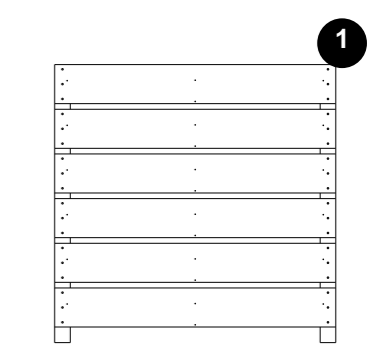
CB01SIDE (SIDE PANEL)



CB01FRONT (FRONT PANEL)

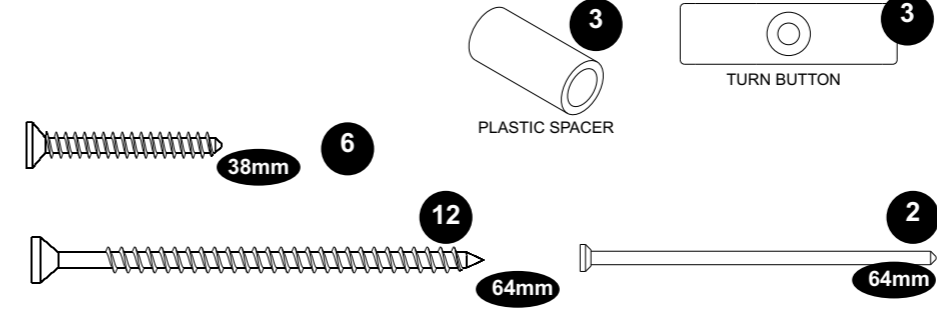


CB01LID (FRONT PANEL)



CB01BACK (BACK PANEL)

Hw0047 (FIXING PACK)



THESE DRAWINGS ARE NOT TO SCALE

REQUIRED TOOLS : (NOT SUPPLIED)

