

RUSTIC ROSE ASSEMBLY INSTRUCTIONS

ISSUE 0109

SHOULD YOU REQUIRE ANY ADDITIONAL GUIDANCE WITH THE ASSEMBLY OF YOUR ARBOUR PLEASE CONTACT OUR TECHNICAL HELP LINE ON 0844 248 98534.

Thank you for choosing this arch manufactured by the UK's largest manufacturer of timber garden products. In order to gain the most benefit from it, please note the following:

- If there are any technical queries with the product, please contact our customer help line on 0844 248 9853 between the hours of 8.30 am and 5.00 pm Monday to Friday.
- Please ensure that you thoroughly check all component parts for quantity and quality before you commence building the product. If there are any missing parts, please contact the help line as shown immediately. The manufacturer cannot be held liable for damaged items once any part of the product has been fitted or altered in any way (e.g. Painted)
- Timber is a natural material. It will shrink and swell as a result of varying moisture content.
- Please keep all plastic bags and small parts away from children in order to reduce the risk of suffocation.
- Check periodically to ensure that the timber remains in good condition and if necessary take corrective action.
- Ensure children are supervised and do not climb on the product. Like any product of this nature the gaps between timbers could trap fingers and therefore care should be taken.



Important :
Assembly of
this arch
requires two
people.

Required Tools : (Not Supplied)



DRILL



POZI DRIVE SCREWDRIVER



HAMMER

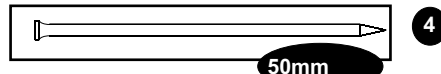


TAPE MEASURE



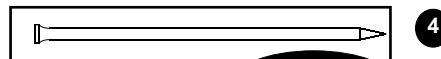
SPIRIT LEVEL

Fixing Pack Contents (FRA1FP) :



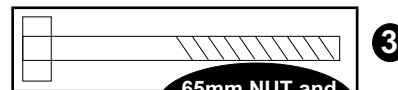
50mm

4



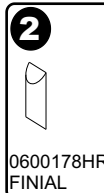
140mm NAIL
NOT TO SCALE

4

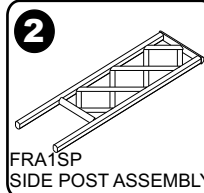


65mm NUT and
BOLT
NOT TO SCALE

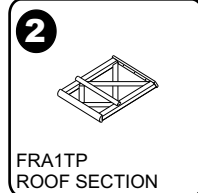
3



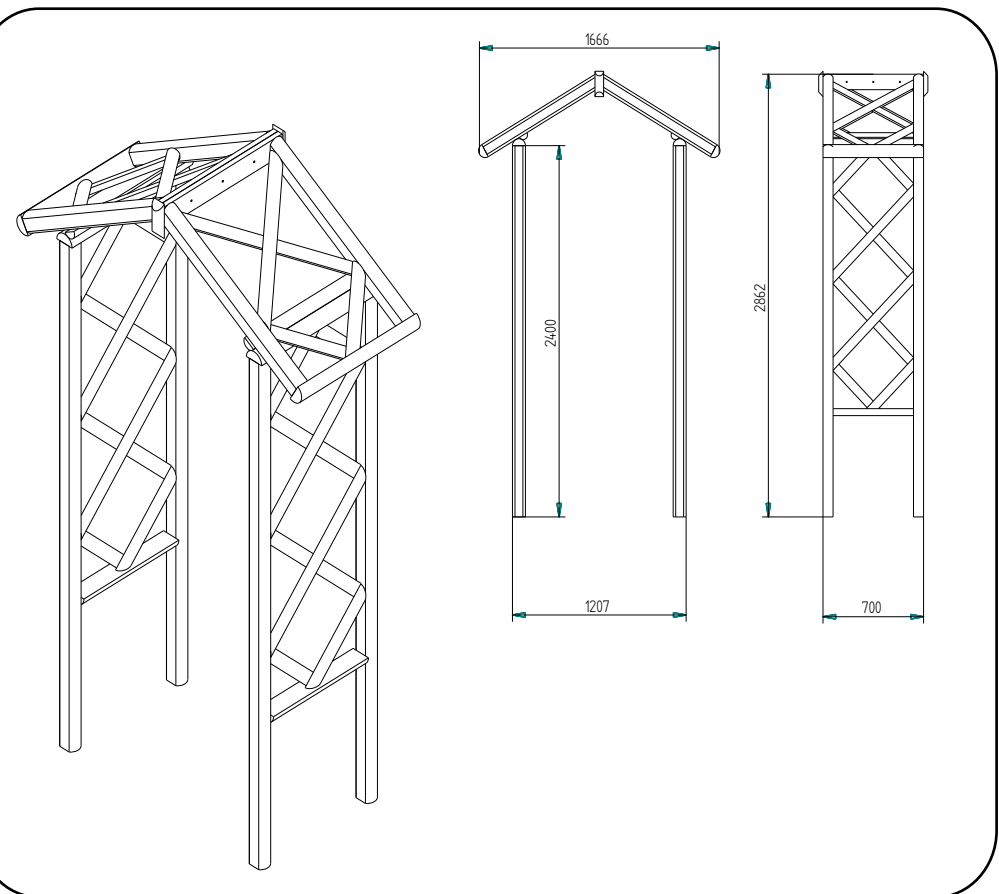
0600178HR
FINIAL



FRA1SP
SIDE POST ASSEMBLY



FRA1TP
ROOF SECTION

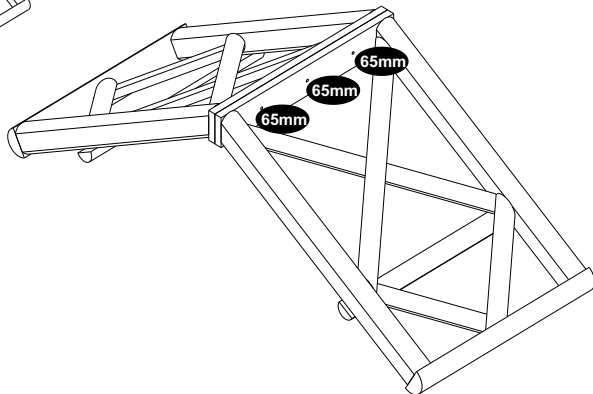
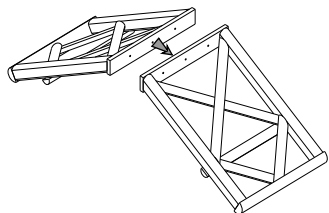


Please note : arbour uprights will need to be concreted 465mm into ground. Alternatively, if using post supports, you will be required to trim 465mm off the bottom of each post.

1

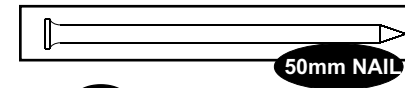


3

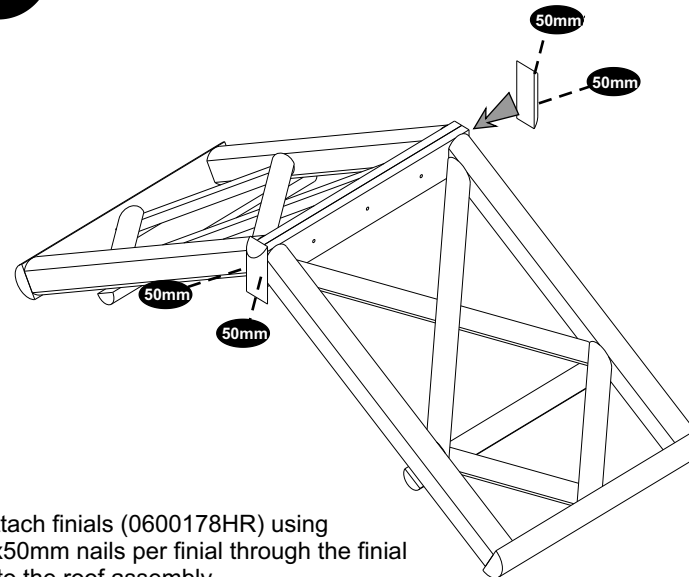


Secure roof sections (FRA1TP) using 3 x 65mm nuts and bolts through the flat parts of the roof sections. You need to pre-drill holes for these bolt to get through.

2

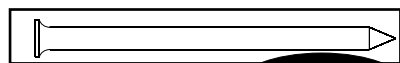


4

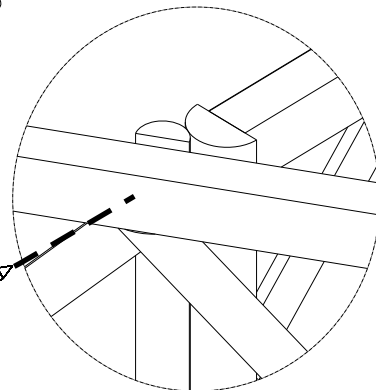
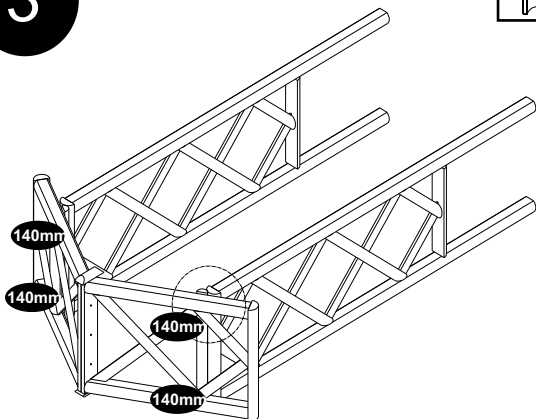


Attach finials (0600178HR) using 2x50mm nails per finial through the finial into the roof assembly.

3



4



Secure the roof assembly to the two uprights (FRA1SP) using 1x140mm nails through each thick part of the roof into the top of the post assembly.