

GARDEN CHEST - ASSEMBLY INSTRUCTIONS

SHOULD YOU REQUIRE ANY ADDITIONAL GUIDANCE WITH THE ASSEMBLY OF YOUR SHED PLEASE CONTACT OUR TECHNICAL HELP LINE ON 0844 248 9853



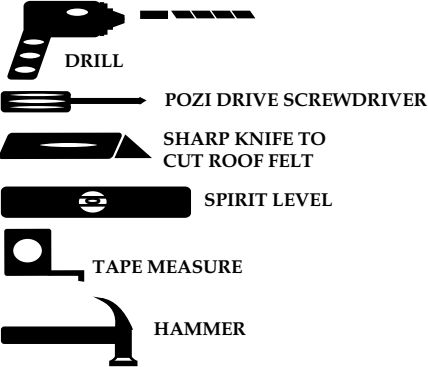
IMPORTANT:
ASSEMBLY OF THIS SHED REQUIRES TWO PEOPLE

ISSUE 0109

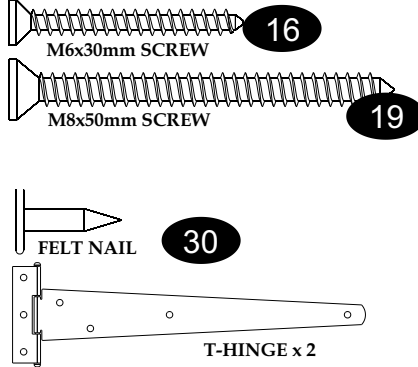
Thank you for choosing this garden building manufactured by the UK's largest manufacturer of timber garden products. In order to gain the most benefit from it, please note the following:

- Exercise particular care and follow instructions whilst cutting the roofing felt. If it is cut incorrectly, additional roofing felt can be inexpensively purchased from most good DIY retailers or garden centers.
- Most buildings are pre-treated with a factory base coat for protection during storage and transit. We recommend that you treat your new building as soon as possible after assembly, using a wood preservative treatment. Apply in accordance with the manufacturers instructions.
- If there are any technical queries with the product, please contact our customer help line on 0844 248 9853 between the hours of 8.30 am and 5.00 pm Monday to Friday.
- Please ensure that you thoroughly check all component parts for quantity and quality before you commence building the product. If there are any missing parts, please contact the help line as shown immediately. The manufacturer cannot be held liable for damaged items once any part of the product has been fitted or altered in any way (e.g. Painted)
- Timber is a natural material. It will shrink and swell as a result of varying moisture content.
- Please keep all plastic bags and small parts away from children in order to reduce the risk of suffocation.

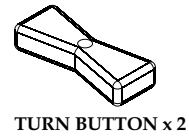
REQUIRED TOOLS : (NOT SUPPLIED)



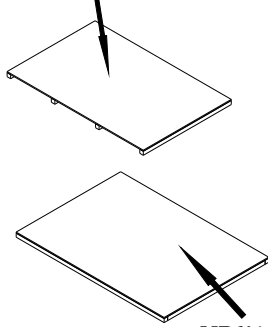
FIXING PACK (GC1FP) CONTENTS :



PLEASE NOTE: ALL SCREWS AND NAILS SHOWN BELOW AND IN INSTRUCTIONS ARE TO SCALE TO ASSIST IN IDENTIFYING REQUIRED FIXINGS.

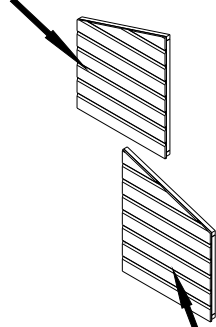


FLOOR X 1
(CHESTFL)



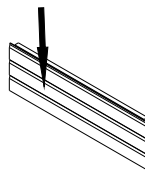
LID X 1
(CHESTLID)

RH SIDE x 1 (GC1RHSIDE)



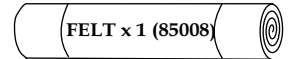
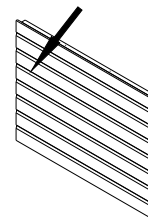
LH SIDE x 1
(GC1LHSIDE)

CHEST FRONT LOWER X 1
(GC1FRL)



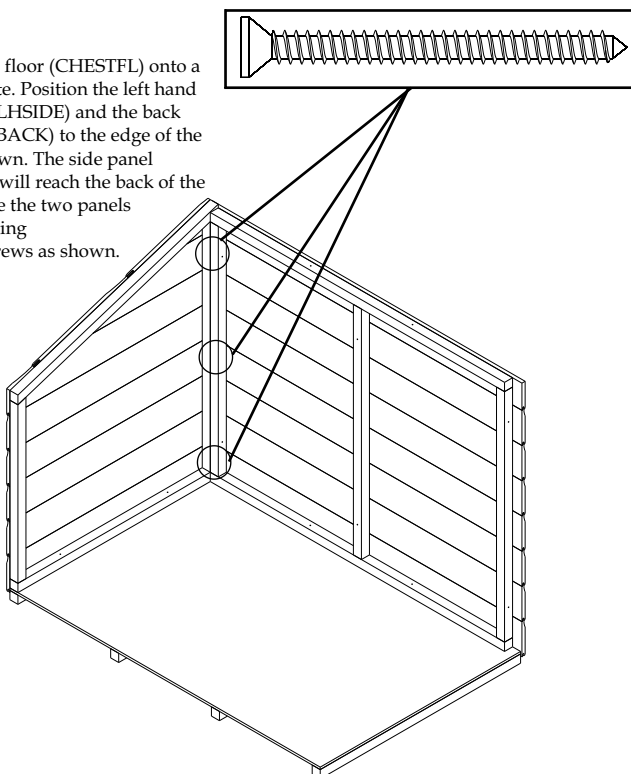
CHEST FRONT UPPER
(GC1FRU)

BACK PANEL X 1
(GC1BACK)

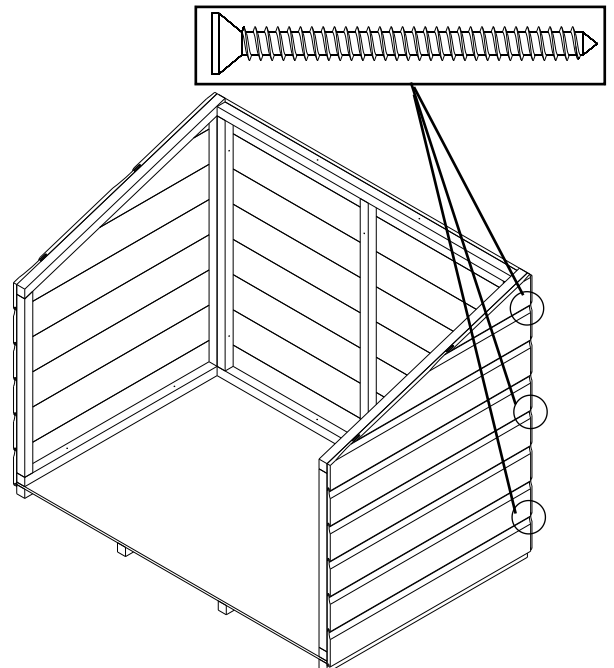


LID SUPPORT X 1
(28280590A1DTR)

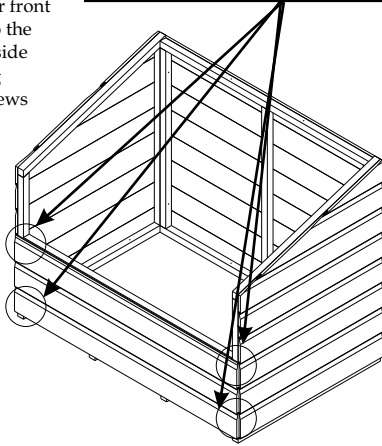
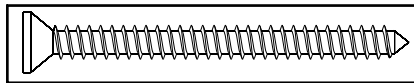
Position the floor (CHESTFL) onto a prepared site. Position the left hand panel (GC1LHSIDE) and the back panel (GC1BACK) to the edge of the floor as shown. The side panel framework will reach the back of the floor. Secure the two panels Together using 3x50mm screws as shown.



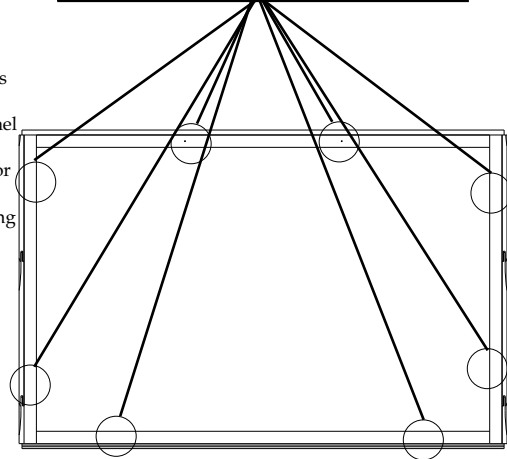
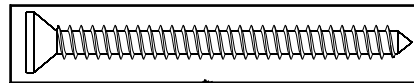
Copy the process with the right hand panel (GC1RHSIDE).



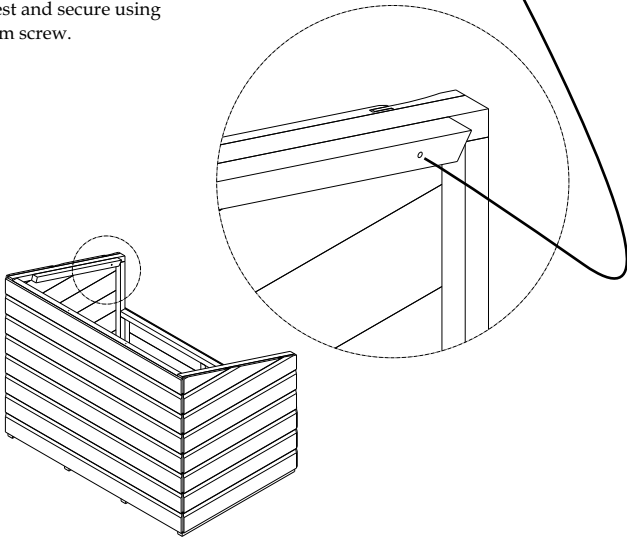
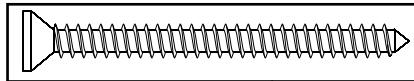
Fix the lower front (GC1FRL) to the front of the side panels using 2x50mm screws



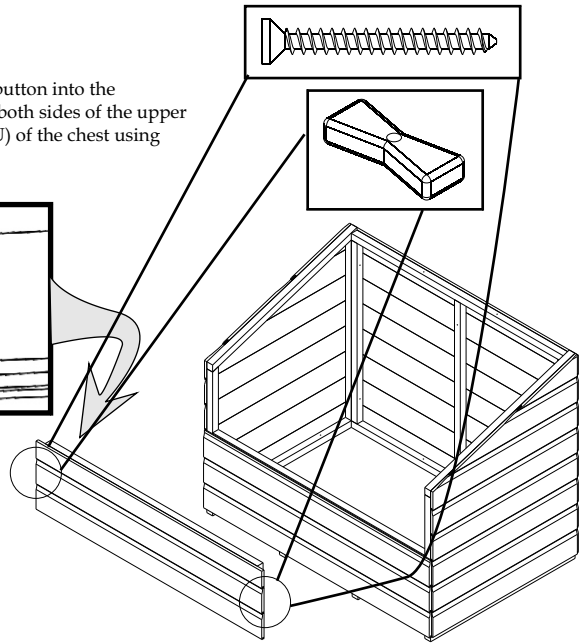
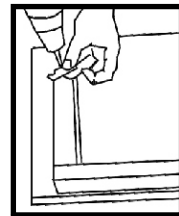
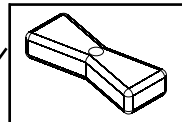
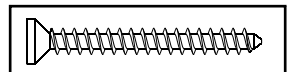
Secure all panels to the floor through the panel frame work through the floor into the bearers underneath using 2x50mm screws per panel.



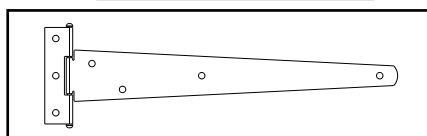
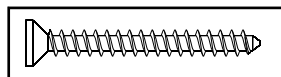
Position the lid support (28280590A1DTR) to one side of the chest and secure using 1x50mm screw.



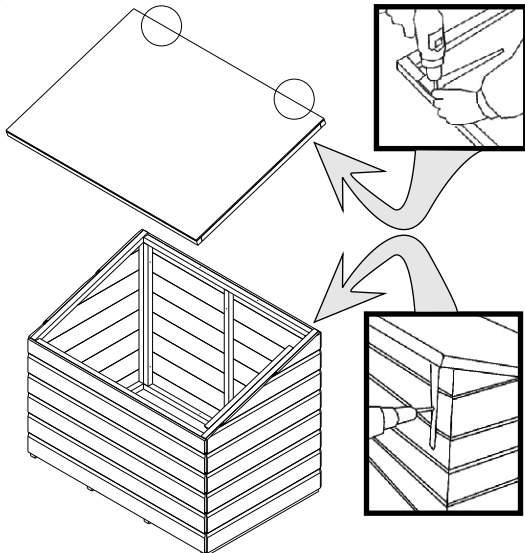
Secure a turn button into the framework of both sides of the upper front (GC1FRU) of the chest using 30mm screws



Secure 2 x 'T' hinges to the back of the lid (CHESTLID) framework approximately 50mm in from the edge so that the long part of the hinge points inside the lid.



Secure the lid to the rest of the chest through the long part of the hinge into the cladding in the back of the chest.



Secure the felt to the lid by folding it over the edges and tacking into the lids frame work.

