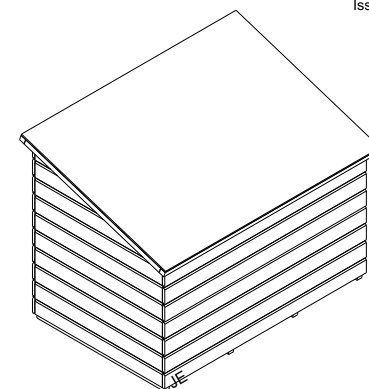


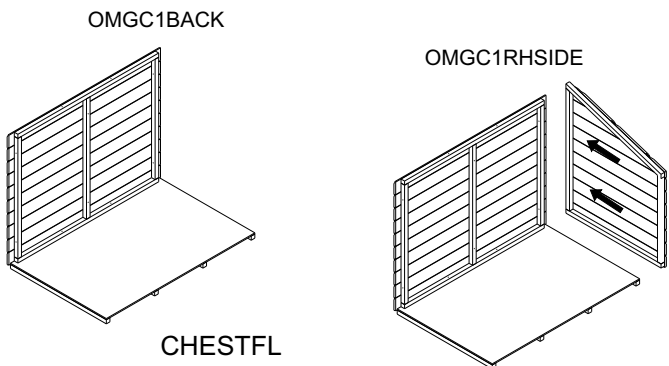
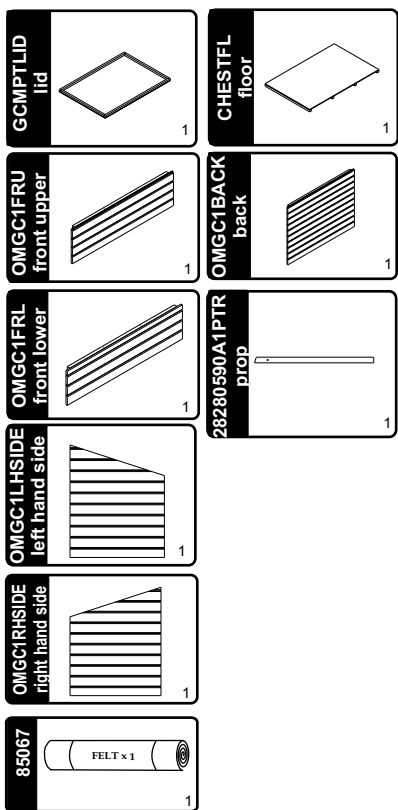
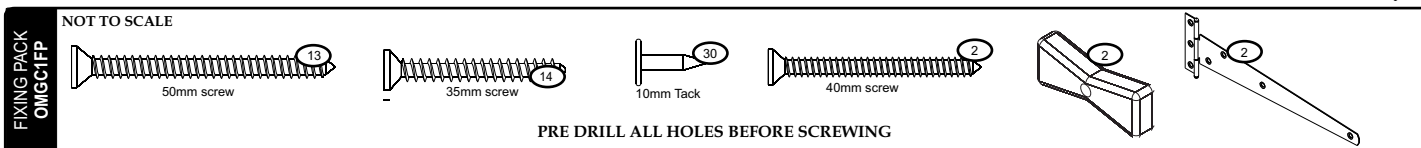
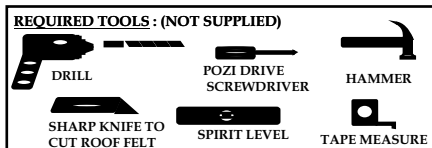
GARDEN CHEST

IMPORTANT, RETAIN FOR FUTURE REFERENCE: READ CAREFULLY



Thank you for choosing this garden building manufactured by the UK's largest manufacturer of timber garden products. In order to gain the most benefit from it, please note the following:

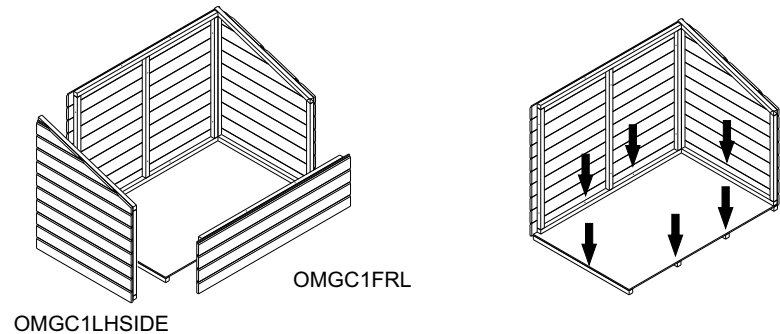
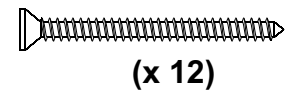
- Exercise particular care and follow instructions whilst cutting the roofing felt. If it is cut incorrectly, additional roofing felt can be inexpensively purchased from most good DIY retailers or garden centres.
- Most buildings are pre-treated with a factory base coat for protection during storage and transit. We recommend that you treat your new building as soon as possible after assembly, using a wood preservative treatment. Apply in accordance with the manufacturers instructions.
- Please ensure that you thoroughly check all component parts for quantity and quality before you commence building the product. If there are any missing parts, please contact the help line as shown immediately. The manufacturer cannot be held liable for damaged items once any part of the product has been fitted or altered in any way (e.g. Painted)
- Timber is a natural material. It will shrink and swell as a result of varying moisture content.
- Please keep all plastic bags and small parts away from children in order to reduce the risk of suffocation.



A Place the **OMGC1BACK** (back panel) on top of the **CHESTFL** (floor) so that the boards overhang the edge and the sides are flush. Place the **OMGC1RHSIDE** (right hand side) in the same way making sure that it butts up against the back panel. Secure these together using 2 x 50mm screws.

B Repeat the process in step (A), placing the **OMGC1LHSIDE** (left hand side) onto the floor and flush against the **OMGC1BACK**. Secure the panel in place using 2x50mm screws.

Repeat the procedure for **OMGC1FRL** (front lower) using 1x50mm screw at each end.

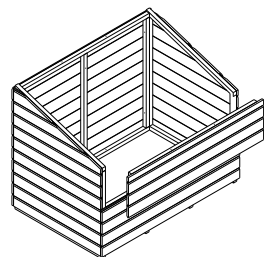
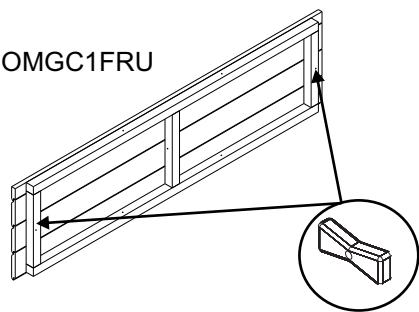


C When the frame of the building is complete and square. Secure the panels to the floor using 2x50mm screws for the **OMGC1BACK** and **OMGC1FRL**. Use 1x50mm screw for the **OMGC1RHSIDE** and **OMGC1LHSIDE**.



(X 2)

OMGC1FRU

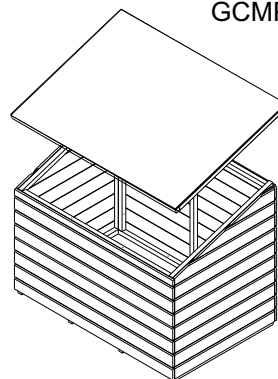


Place two turn buttons on the inside of the **OMGC1FRU** at each end as shown. Make sure these are positioned so that they will keep the **OMGC1FRU** in place when locked. Secure each in place with 1x40mm screws.

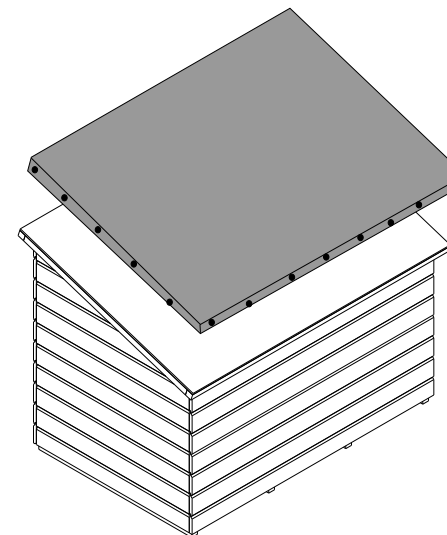


(x 30)

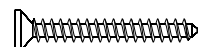
GCMPTLID



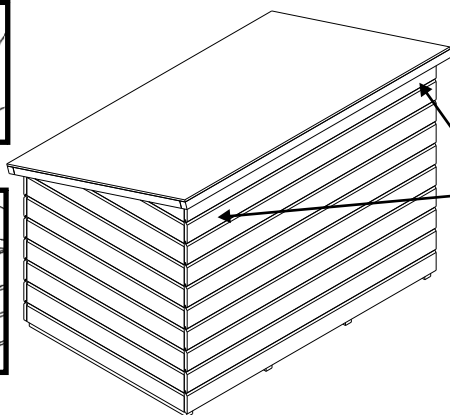
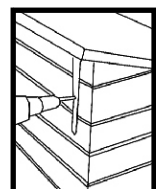
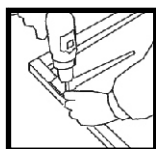
Place the **GCMPTLID** onto the Garden Chest



Unroll and place the 85067 (**felt**) over the Garden Chest. Secure in place using felt nails spaced out approx 150mm.



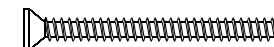
(X 14)



Fix two tee hinges to the **GCMPTLID** (lid). Screwing into the batten at the back, using 3x35mm screws per hinge.

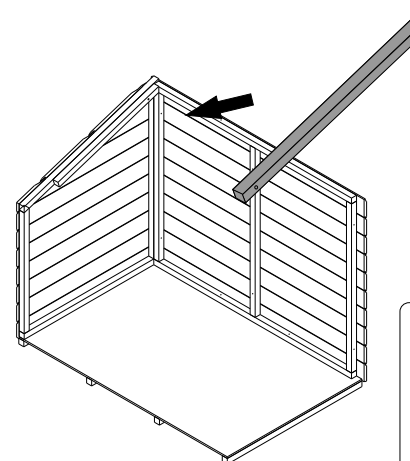
Make sure the hinges are positioned so that the hinges will screw into the battens on the inside of the **OMGC1BACK**.

Once positioned fix the hinges to the **OMGC1BACK** using 4x35mm screws.



(x 1)

28280590A1PTR



Place the **28280590A1PTR** (prop) against the inside of one of the side panels.

Secure this in place using 1x50mm screw.