

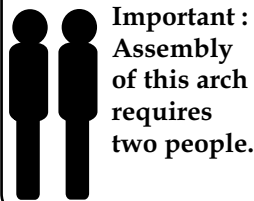
RYFORD ARCH ASSEMBLY INSTRUCTIONS

ISSUE 0109

SHOULD YOU REQUIRE ANY ADDITIONAL GUIDANCE WITH THE ASSEMBLY OF YOUR ARBOUR PLEASE CONTACT OUR TECHNICAL HELP LINE ON 0844 248 9853.

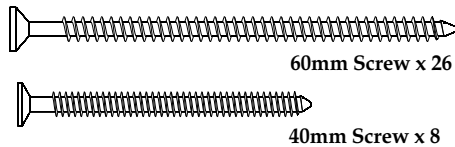
Thank you for choosing this arch manufactured by the UK's largest manufacturer of timber garden products. In order to gain the most benefit from it, please note the following:

- If there are any technical queries with the product, please contact our customer help line on 0844 248 9853 between the hours of 8.30 am and 5.00 pm Monday to Friday.
- Please ensure that you thoroughly check all component parts for quantity and quality before you commence building the product. If there are any missing parts, please contact the help line as shown immediately. The manufacturer cannot be held liable for damaged items once any part of the product has been fitted or altered in any way (e.g. Painted)
- Timber is a natural material. It will shrink and swell as a result of varying moisture content.
- Please keep all plastic bags and small parts away from children in order to reduce the risk of suffocation.
- Check periodically to ensure that the timber remains in good condition and if necessary take corrective action.
- Ensure children are supervised and do not climb on the product. Like any product of this nature the gaps between timbers could trap fingers and therefore care should be taken.

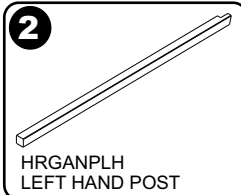
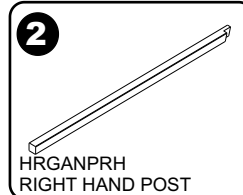
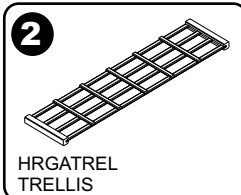


Important :
Assembly of this arch requires two people.

Fixing Pack Contents (HRGAFP) :

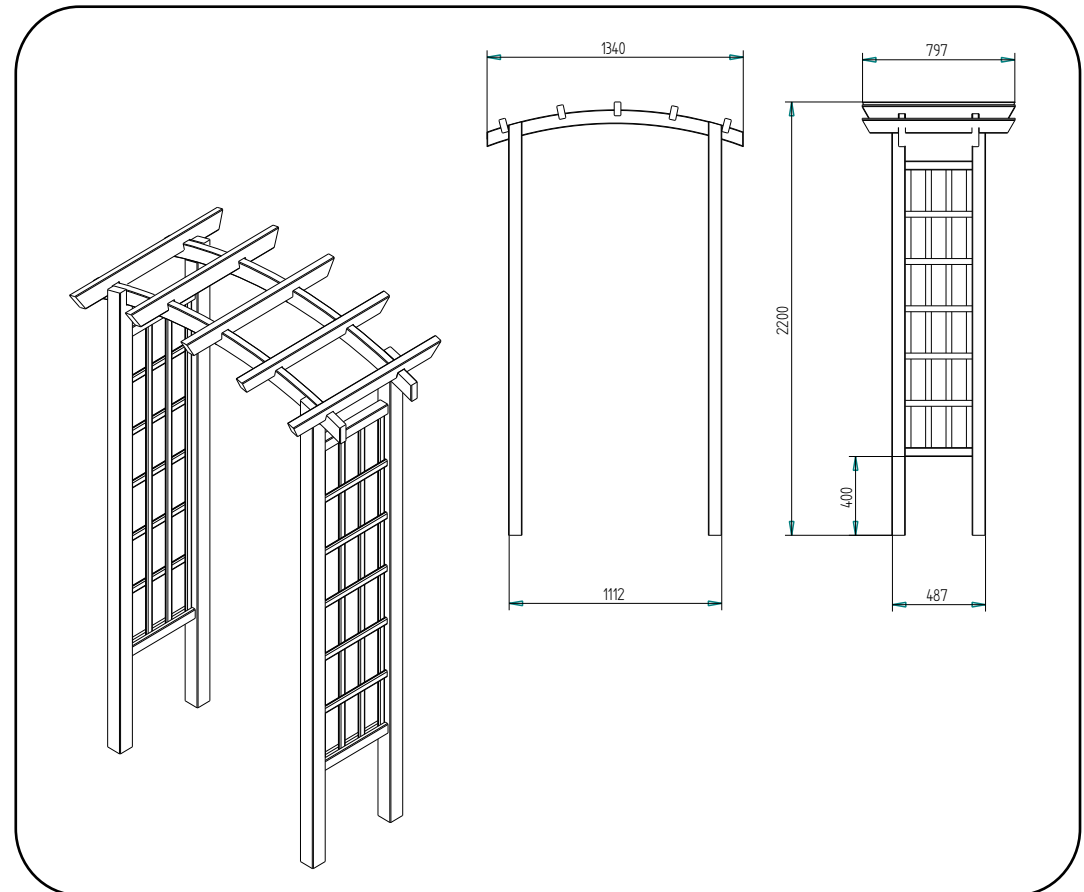


Required Tools : (Not Supplied)

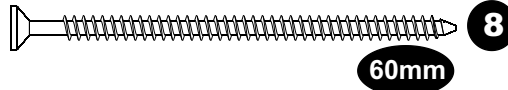


Helpful Tip : use the illustration of the screw/nail shown in each step to help you identify which fixing is required during the assembly of your arch.

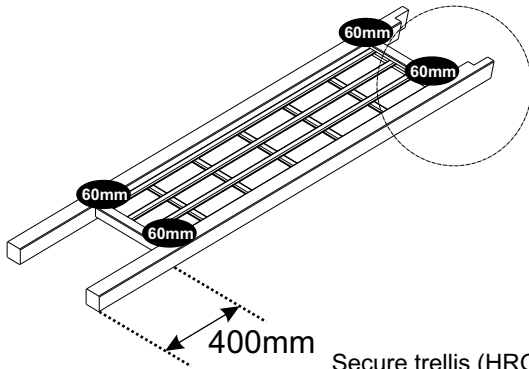
Please note : arbour uprights will need to be concreted 400mm into ground. Alternatively, if using post supports, you will be required to trim off the bottom of each post.



1



60mm

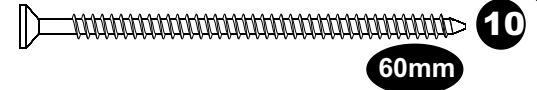


400mm

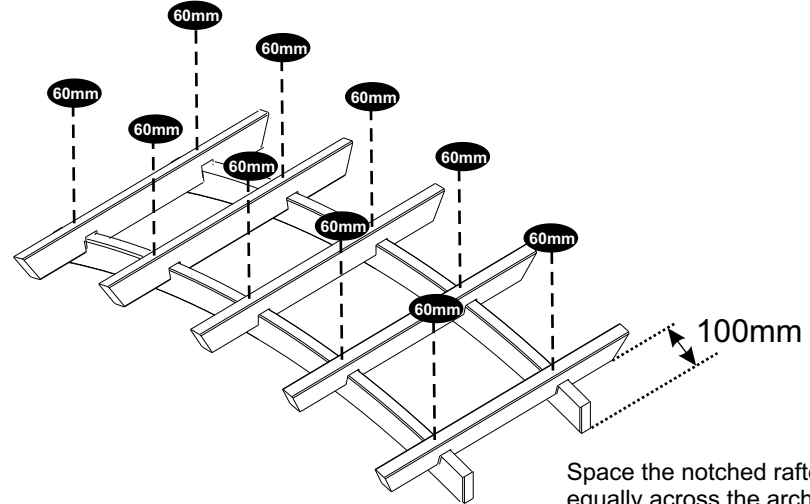
Secure trellis (HRGATREL) 400mm from the flat end of one left hand and one right hand post (HRGANPLH) and (HRGANPRH) using 60mm screws through the top and bottom framework into the post make sure the notch in the post is to the inside.

x2

2



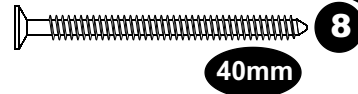
60mm



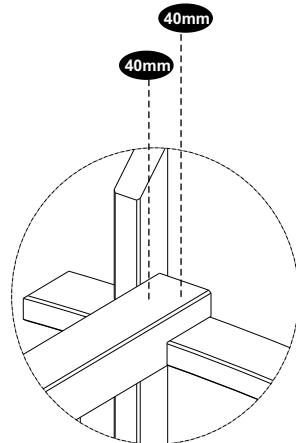
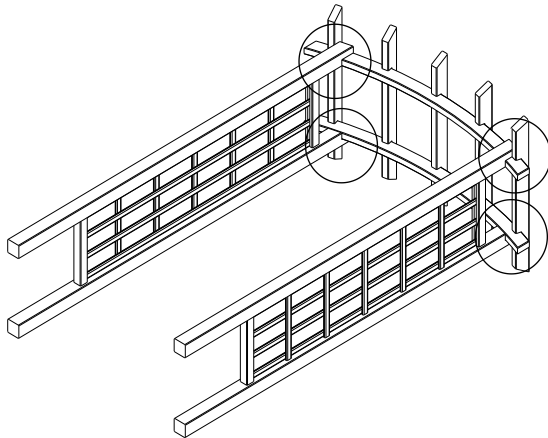
100mm

Space the notched rafters (HRGANR) equally across the arched rafters (HRGALA) Make sure that the outer most rafters are no more than 100mm in for the end of the arch rafters.

3



40mm



Position the rafter assembly into the notches in the post trellis assembly. Make sure the posts assemblies are 975mm apart (internal dimension). Secure using 2x40mm screws through each post into the raft assembly.