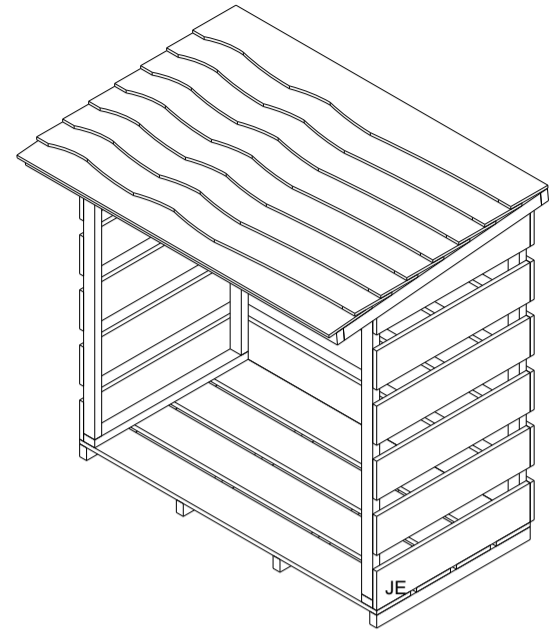
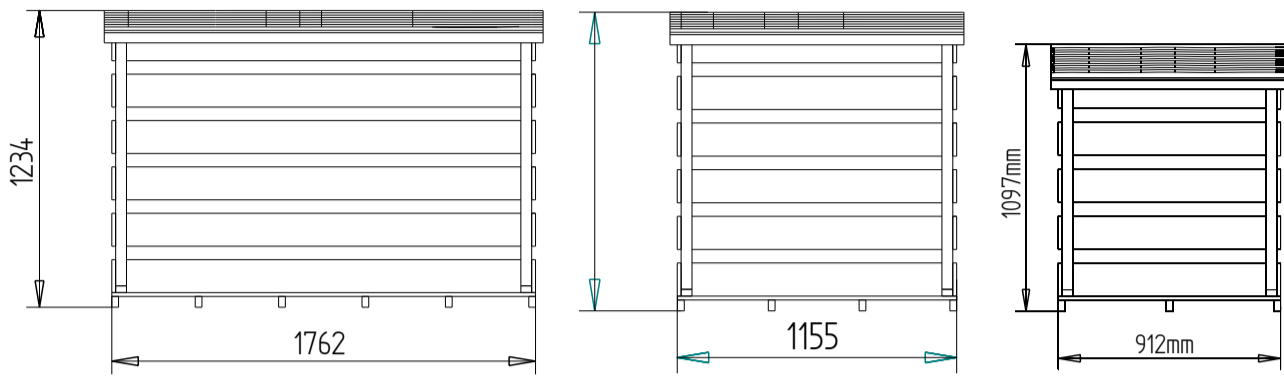
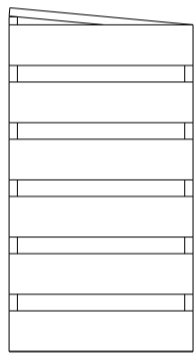


LOG STORE



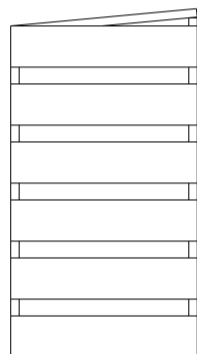
Thank you for choosing this product manufactured by the UK's largest manufacturer of timber garden products. In order to gain the most benefit from it, please note the following:

- Exercise particular care and follow instructions.
- This product is pressure treated to ensure longevity of all components and to protect against rot. This may leave a colour difference as on some parts as that will even out as the moisture content stabilises. For extra protection from the elements we recommend that you treat your structure using a wood preservative treatment. Apply in accordance with the manufacturers instructions.
- Please ensure that you thoroughly check all component parts for quantity and quality before you commence building the product. If there are any missing parts, please contact the help line as shown immediately. The manufacturer cannot be held liable for damaged items once any part of the product has been fitted or altered in any way (e.g. Painted)
- Timber is a natural material. It will shrink and swell as a result of varying moisture content.
- Please keep all plastic bags and small parts away from children in order to reduce the risk of suffocation.
- Important Note : Do not lean or stand on roof during assembly this is not a load bearing.



LSLHS

(Log Store Left Hand Side)



LSRHS

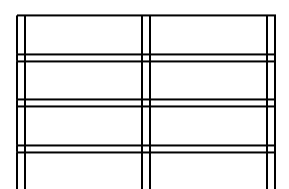
(Log Store Right Hand Side)



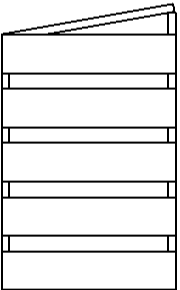
LSFLR
(Log Store Floor)



LGLSFLLR
(Large Log Store Floor)

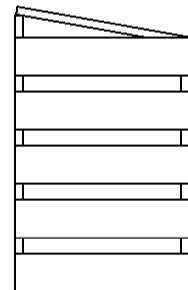


ELSFLR
(Economy Log Store Floor)



ELSLHS

(Economy Log Store Left Hand Side)



ELSRHS

(Economy Log Store Right Hand Side)



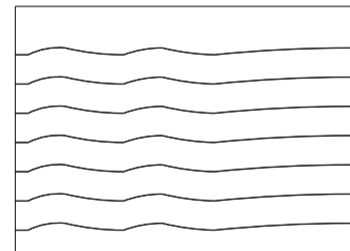
137161762PTR (Large Board) Qty 6



137161155PTR (Board) Qty 6



137160912PTR (Board) Qty 5

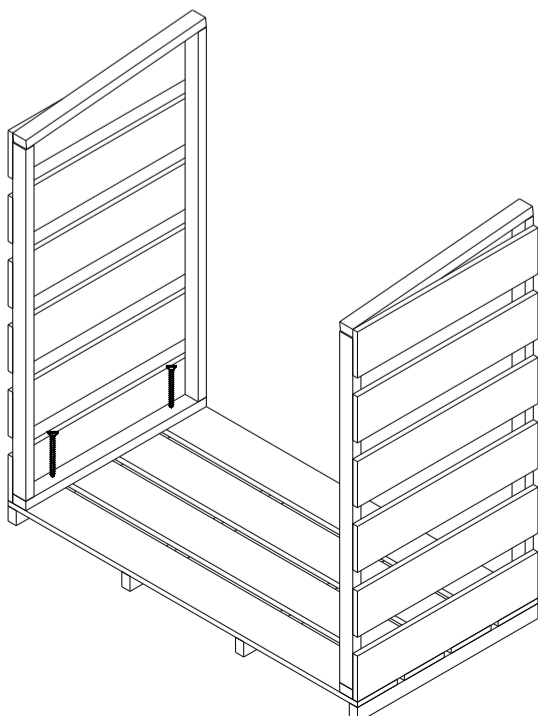


LSROOF (Log Store Roof)

LGLSROOF (Large Log Store)

ELSROOF (Economy Log Store)

1



Place the left hand side on to the floor short side as shown and secure using 2x50mm screws, screwing into the batten underneath.

Repeat this step with the right hand side.

REQUIRED TOOLS : (NOT SUPPLIED)



DRILL

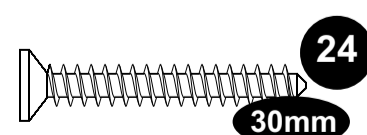


POZI DRIVE SCREWDRIVER



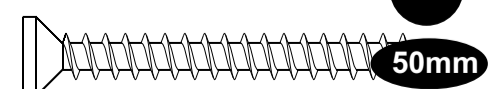
TAPE MEASURE

LOGSTOREFP FIXING PACK



24

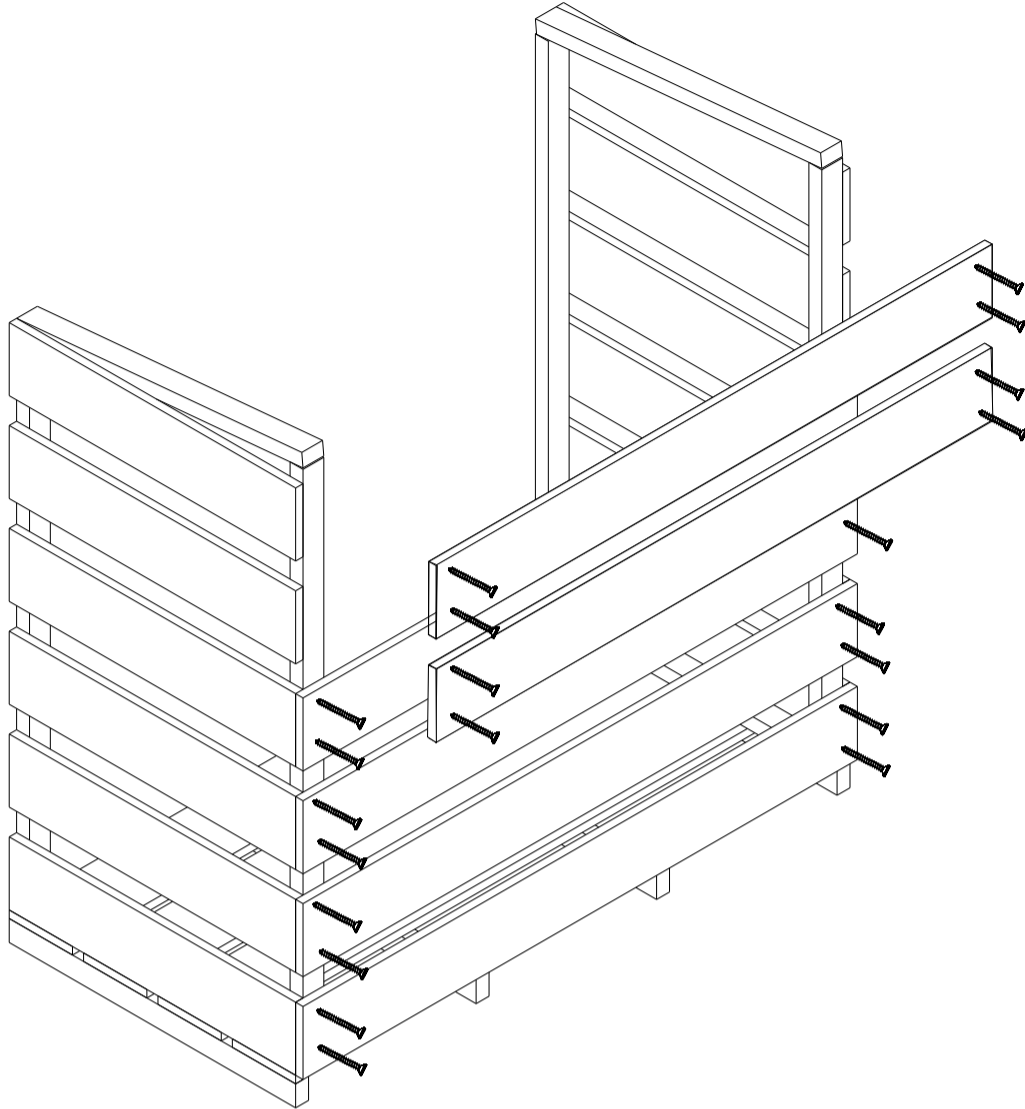
30mm



8

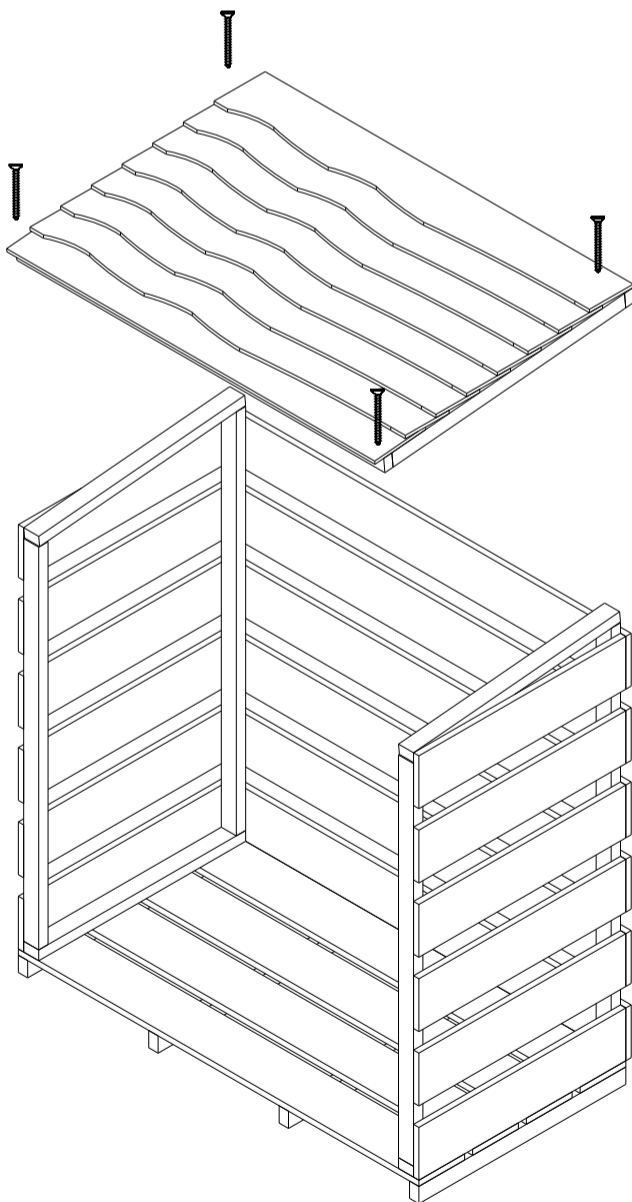
50mm

2



Once the sides are fixed to the floor attach the boards so that they are in line with the boards on the left and right hand side and secure using two 30mm screws at each end as shown

3



Place the log store roof on top of the structure so that the overhang is at the front.

Fix in place using 2x50mm screws for each side, screwing into the batten underneath.