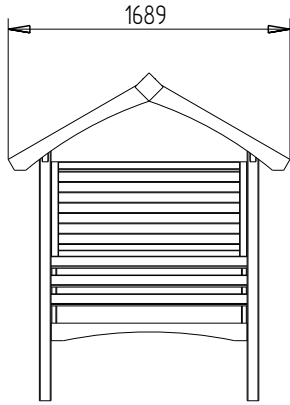
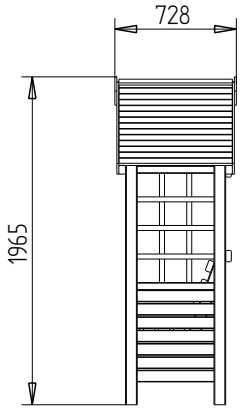
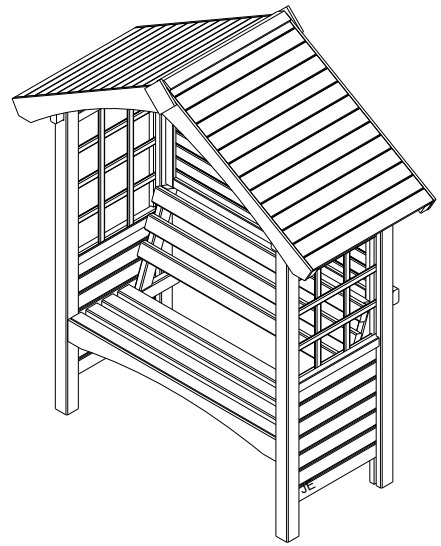


IMPORTANT, RETAIN FOR FUTURE REFERENCE: READ CAREFULLY

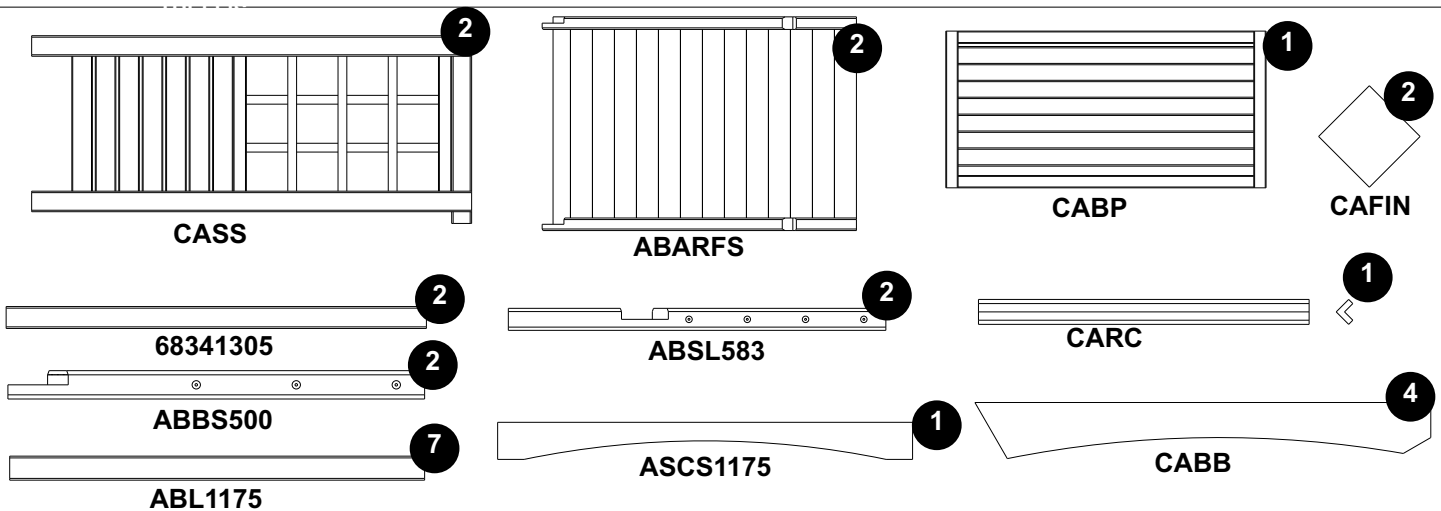


Important : Assembly of this Arbour requires two people.

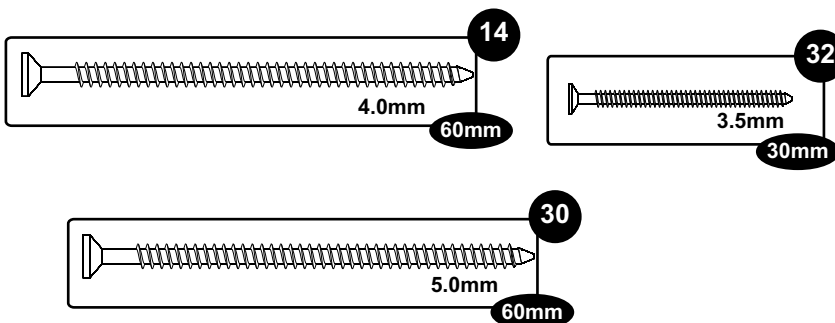


Thank you for choosing this Arbour manufactured by the UK's largest manufacturer of timber garden products. In order to gain the most benefit from it, please note the following:

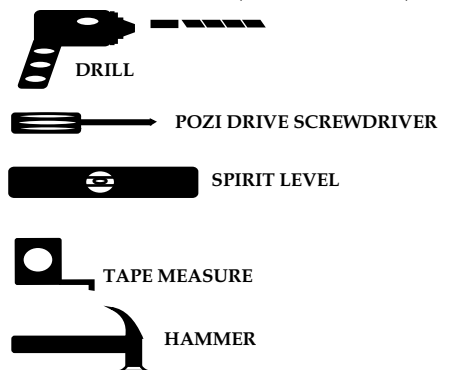
- Exercise particular care and follow instructions.
- This Arbour is pressure treated to ensure the longevity of all timber components and protect against rot. This may leave a colour difference on some parts that will even out as the moisture contents stabilize. For extra protection from the elements we recommend that you treat your structure using a wood preservative treatment. Apply in accordance with the manufacturers instructions.
- Please ensure that you thoroughly check all component parts for quantity and quality before you commence building the product. If there are any missing parts, please contact the help line as shown immediately. The manufacturer cannot be held liable for damaged items once any part of the product has been fitted or altered in any way (e.g. Painted)
- Timber is a natural material. It will shrink and swell as a result of varying moisture content.
- Please keep all plastic bags and small parts away from children in order to reduce the risk of suffocation.
- Important Note : Do not lean or stand on rafters during assembly they are not load bearing.



MA2ASFP (fixing pack)



REQUIRED TOOLS : (NOT SUPPLIED)

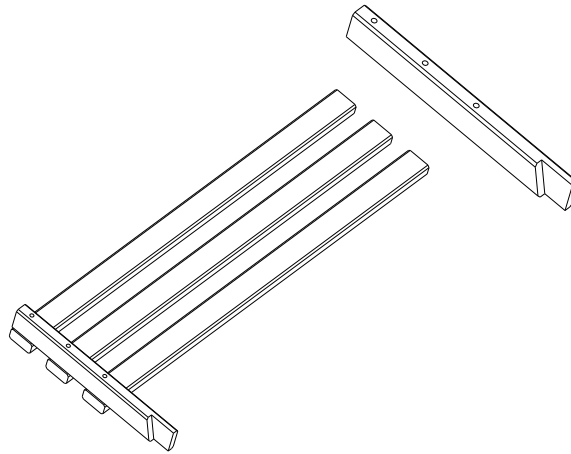


1

Position the **ABL1175**'s so that they line up with the pre-drilled holes in the **ABSL500**'s. Take care to make sure that these are flush on all sides.

Secure the **ABBS500** to the **ABL1175**, screwing through the **ABBS500** using 2x60mms screws, per **ABL1175**, in the holes provided.

Repeat the step with the **ABSL583**.

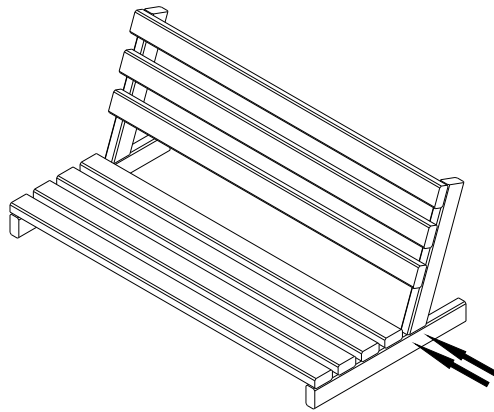


5.0mm 14

2

Fix the two completed seat assemblies together using the notches on the **ABBS500** and the **ABSL583**.

Secure them together by using 2x30mm screws at each end where the assemblies join, screwing from the outside as shown.

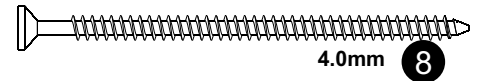
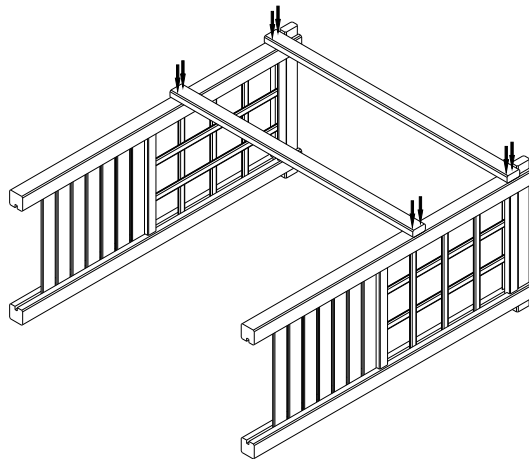


4

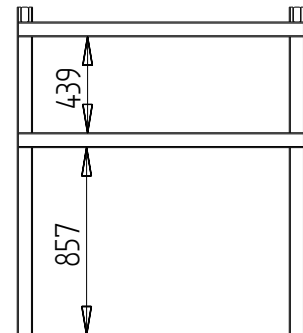
3

Place both the **CASS** panels on their sides. Place the 2 x **68341305** (battens) on top making sure that they are spaced out as shown and flush on the edges.

Secure each **68341305** in place using 4x50mm screws.



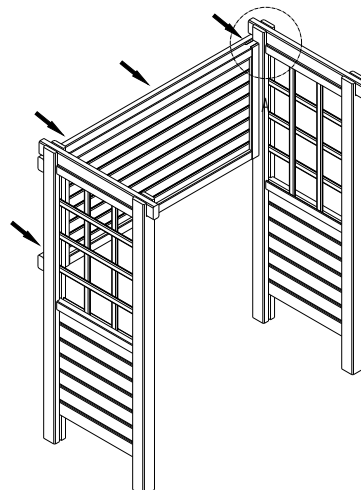
4.0mm 8



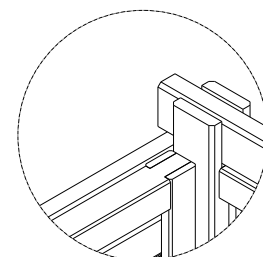
4

Stand the product up right and place the **CABP** so that it fits squarely between the two **CASS** sections and is in line with the two **68341305** battens you have just secured.

Secure into position by screwing from the back through the **68341305** into the **CABP** using 6x50mm screws



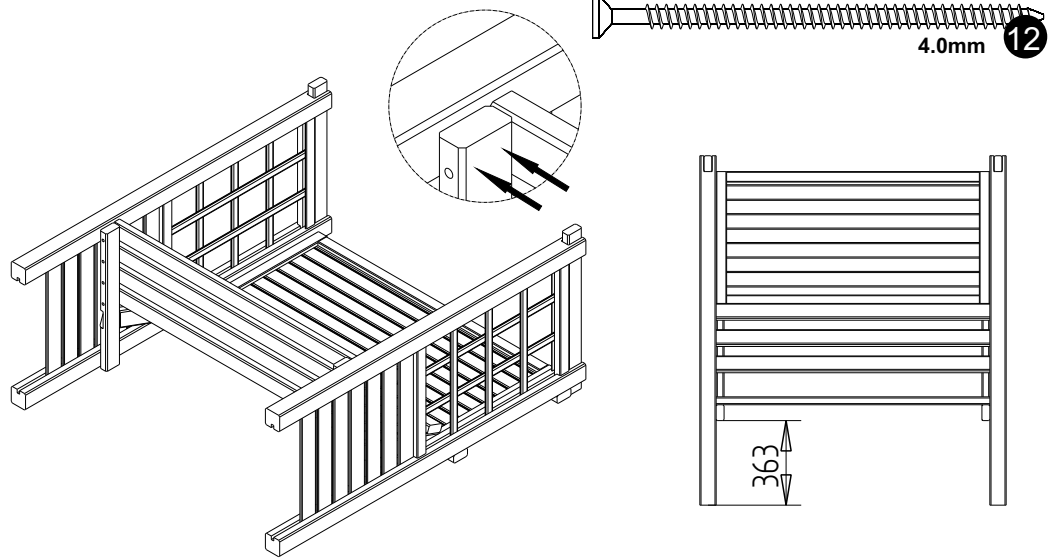
4.0mm 6



**5**

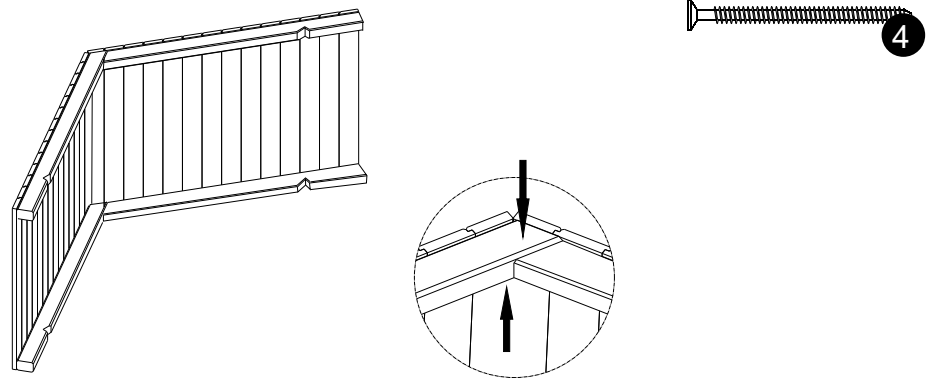
Lie the product down and position the completed seat assembly, that you have previously constructed, 363mm from the base of the **CASS**.

Again, making sure that all sides are flush fix in place by screwing through the **ABBS500**'s and the **ABSL583** into the **CASS** using 60mm screws as shown.

**6**

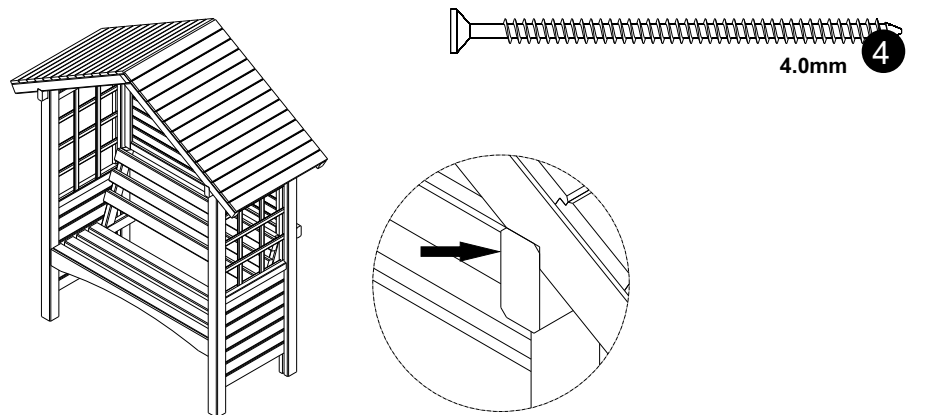
Place the two **ARBARFS** together so that they slot together at the apex as shown.

Making sure that they are tight and flush, fix them together by screwing from both sides, using 2x30mm screws on each join.

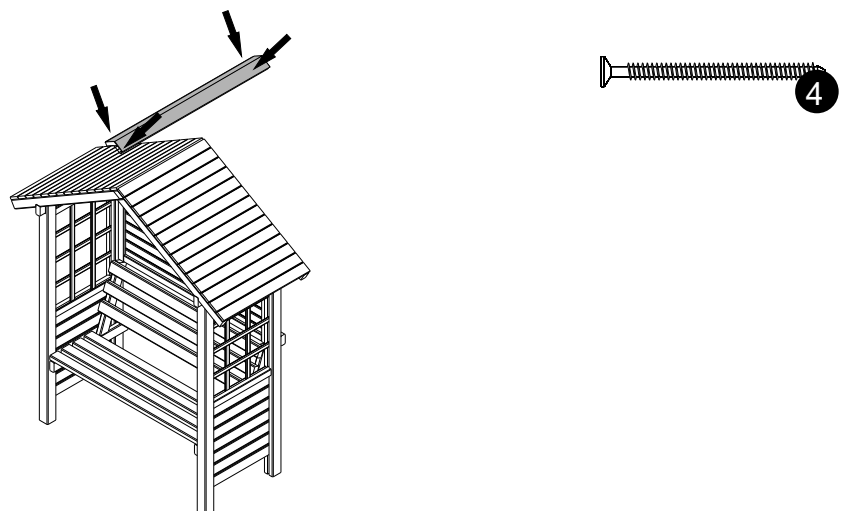
**7**

Place the completed roof onto the Arbour so that the the notches of the **ARBARFS** sections sit on the **CASS** as shown.

Secure in place by screwing through the top batten of the **CASS** into the **ARBARFS** using 60mm screws.

**8**

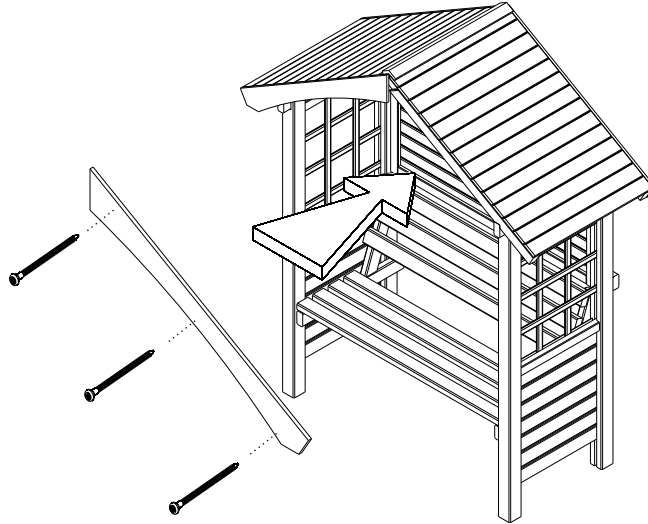
Place the **CARC** onto the top of the roof and position so that it covers up the join at the apex. Secure in place using 4x30mm screws



9

Place the **CABB** so that they are in line with the apex and flush with the outside of the roof.

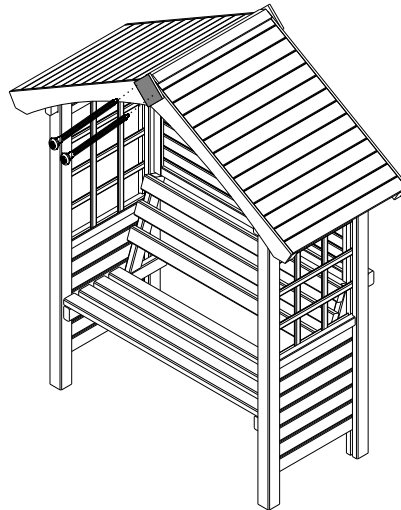
Secure each in place using 3x30mm screws



10

Place the **CAFIN** over the join of the two **CABB** as shown.

Secure each in place using 2x30mm screws.



11

Place the **ACS1175** against the seat so that it is tight on all sides and inline with the seat

Secure in place using 4x30mm screws.

