

OVERLAP BIKE STORE - ASSEMBLY INSTRUCTIONS



IMPORTANT:
ASSEMBLY OF THIS
SHED REQUIRES TWO
PEOPLE

ISSUE 0109

SHOULD YOU REQUIRE ANY ADDITIONAL GUIDANCE WITH THE ASSEMBLY OF YOUR SHED PLEASE CONTACT OUR TECHNICAL HELP LINE ON 0844 248 9853

Thank you for choosing this garden building manufactured by the UK's largest manufacturer of timber garden products. In order to gain the most benefit from it, please note the following:
- Exercise particular care and follow instructions whilst cutting the roofing felt. If it is cut incorrectly, additional roofing felt can be inexpensively purchased from most good DIY retailers or garden centres.

- Most buildings are pre-treated with a factory base coat for protection during storage and transit. We recommend that you treat your new building as soon as possible after assembly, using a wood preservative treatment. Apply in accordance with the manufacturers instructions.

- If there are any technical queries with the product, please contact our customer help line on 0844 248 9853 between the hours of 8.30 am and 5.00 pm Monday to Friday.

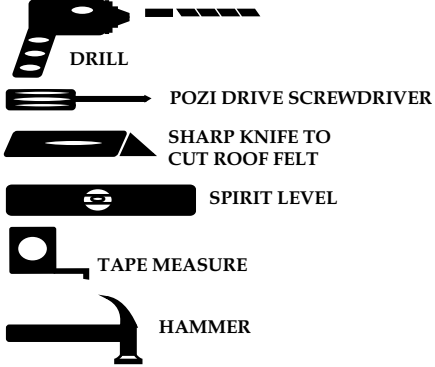
- Please ensure that you thoroughly check all component parts for quantity and quality before you commence building the product. If there are any missing parts, please contact the help line as shown immediately. The manufacturer cannot be held liable for damaged items once any part of the product has been fitted or altered in any way (e.g. Painted)

- Timber is a natural material. It will shrink and swell as a result of varying moisture content.

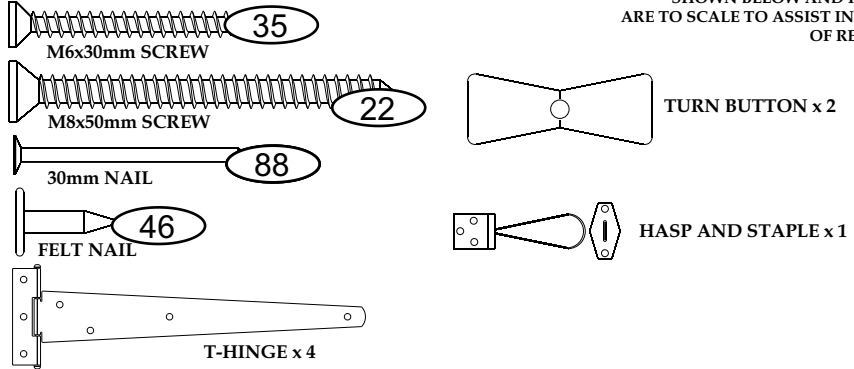
- Please keep all plastic bags and small parts away from children in order to reduce the risk of suffocation.

- Please exercise caution when felting this product. The roof is not a load bearing structure.

REQUIRED TOOLS : (NOT SUPPLIED)

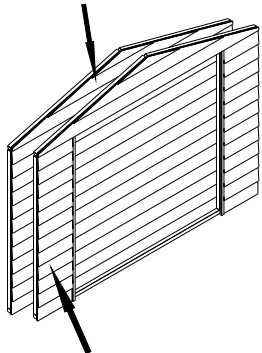


FIXING PACK (FP03) CONTENTS :



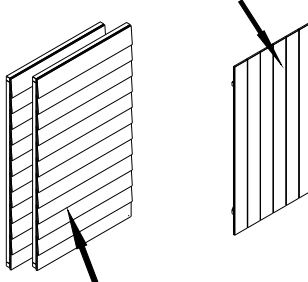
PLEASE NOTE: ALL SCREWS AND NAILS SHOWN BELOW AND IN INSTRUCTIONS ARE TO SCALE TO ASSIST IN IDENTIFICATION OF REQUIRED FIXINGS.

PLAIN END x 1 (OBS2PEV2)



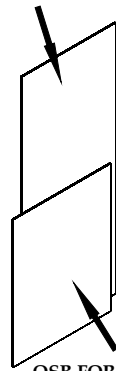
DOOR END x 1 (OBS2DEV2)

DOOR x 2 (OBS2HMTNGDR)

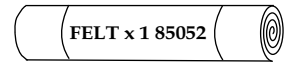


SIDE SECTIONS x 2 (OBS2SIDEV2)

OSB FOR FLOOR :
2000x800mm QTY 1 (20008058)



OSB FOR ROOF :
1090x830mm QTY 2 (10908308)



FELT x 1 85052



FIXING PACK x 1

FLOOR BATTENS :
28x28x2000mm QTY 3 (28282000PTR)

ROOF BATTENS :
28x28x744mm QTY 2 (28280744)
28x28x830mm QTY 2 (28280830)

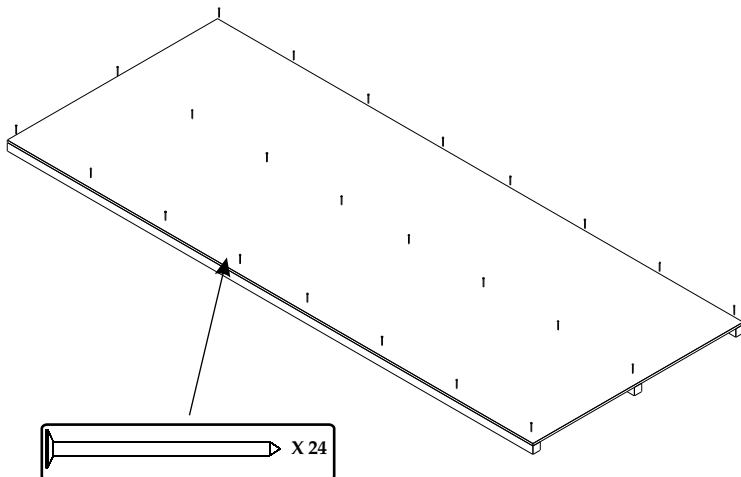
CORNER STRIPS :
45x15x1290mm QTY 4 (45151290DTR)

BARGE BOARDS :
61x8x1100mm QTY 2 (61081100A1DTR)

DOOR SLAMMING STRIP :
28x28x1230mm QTY 1 (28281230)

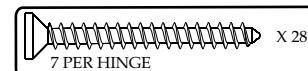
1

PLACE THE THREE 28x28x2000mm BATTENS (28282000PTR) ONTO THE GROUND SO THAT ENDS ARE FLUSH, AND THERE IS AN EQUAL GAP BETWEEN EACH ONE. PLACE 2000x800mm SHEET OF OSB (20008058) ON TOP OF THE BATTENS. SECURE SHEET OF OSB TO EACH BATTEN WITH EIGHT 30mm NAILS PLACED AS SHOWN BELOW. IT IS VITAL THAT THE NAILS LOCATE INTO THE BATTENS.

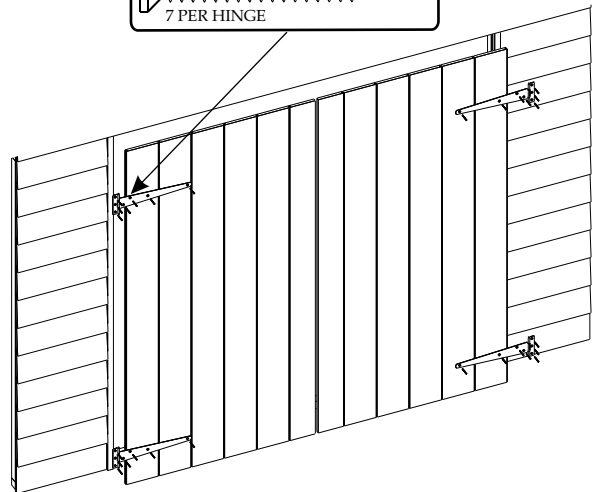


X 24

2



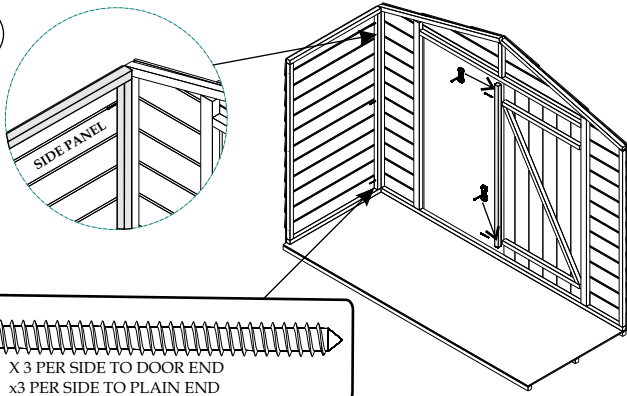
7 PER HINGE



A) FASTEN TWO HINGES TO THE OUTSIDE OF EACH DOOR (OBS2HMTNGDR) AS SHOWN ABOVE USING 30mm SCREWS. SCREWS MUST SECURE INTO THE TWO HORIZONTAL BRACES ON THE BACK OF THE DOOR.

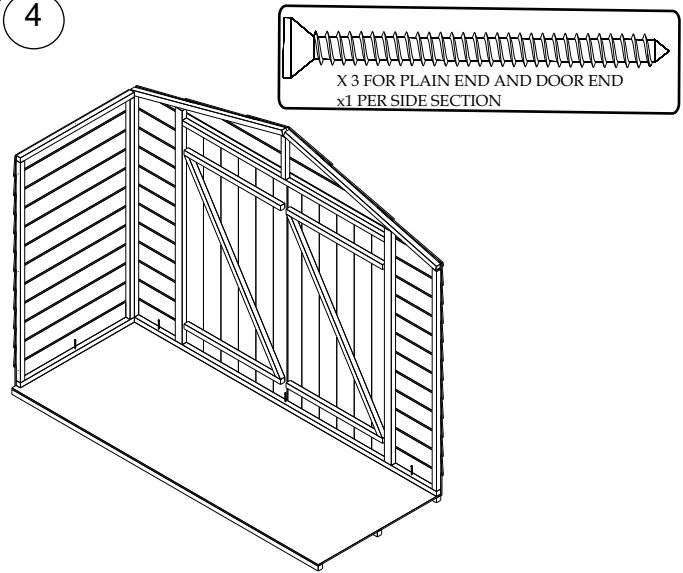
B) LAY FRONT SECTION (OBS2DEV2) FACE UP ON GROUND. POSITION DOORS ON DOOR END OF UNIT ENSURING THAT THE DOORS ARE SQUARE WITH EQUAL GAPS TO LEFT AND RIGHT. SECURE HINGES TO DOOR END WITH 30mm SCREWS.

3



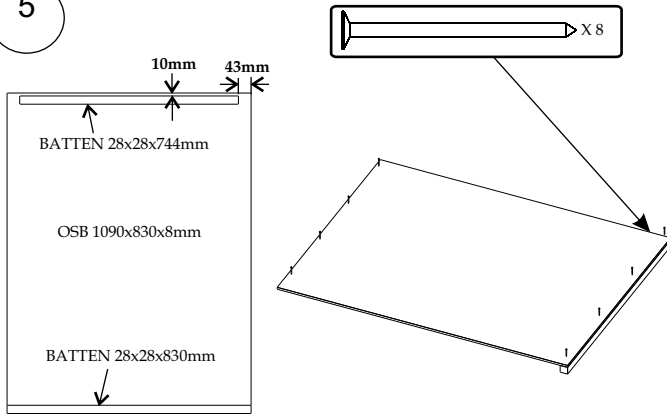
POSITION COMPLETE DOOR END OF UNIT ONTO FLOOR SO THAT THE LEFT AND RIGHT HAND EDGES OF THE PANEL ARE FLUSH WITH THE EDGES OF THE FLOOR. PLACE ONE OF THE SIDE PANELS (**OBS2SIDEV2**) ONTO THE FLOOR AND PLACE UP AGAINST FRONT PANEL. SECURE THROUGH SIDE PANEL INTO FRONT PANEL USING 3 x 50mm SCREWS PLACED AS SHOWN ABOVE. **DO NOT SECURE THE PANELS TO THE FLOOR AT THIS POINT.** WITH LEFT HAND DOOR OPEN, ATTACH 1230mm SLAMMING STRIP (**28281230**) TO END OF EACH HORIZONTAL BATTEN ON THE RIGHT HAND DOOR WITH ONE 50mm SCREW (SLAMMING STRIP MUST FIT WITHIN DOOR OPENING). ATTACH A TURN BUTTON TO THE TOP AND BOTTOM OF THE 1230mm BATTEN WITH A 30mm SCREW. ONCE SECURE, PLACE AND SECURE THE REMAINING SIDE SECTION (**OBS2SIDEV2**) AND PLAIN END (**OBS2PEV2**) IN THE SAME MANNER.

4



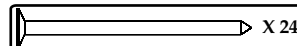
WHEN ALL FOUR SIDES HAVE BEEN SECURED TOGETHER, ATTACH EACH SIDE TO FLOOR WITH ONE 50mm SCREW, ENSURING THAT SCREW LOCATES INTO CENTRAL FLOOR BEARER. ATTACH DOOR AND PLAIN ENDS TO FLOOR WITH THREE 50mm SCREWS EACH, PLACED AS SHOWN ABOVE.

5

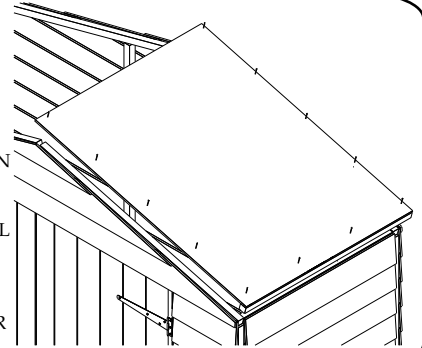


TO ASSEMBLE FIRST ROOF SECTION, PLACE ONE 28x28x830mm (**28280830**) AND ONE 28x28x744mm BATTEN (**28280744**) ON GROUND. PLACE A 1090x830mm SHEET OF OSB (**10908308**) ON TOP OF THE BATTENS. ARRANGE BATTENS SO THAT THE 28x28x830mm IS FLUSH WITH ONE SHORT AND TWO LONG EDGES OF THE OSB, AND THE 28x28x744mm IS OFFSET 10mm FROM THE REMAINING LONG EDGE AND 43mm FROM EACH SHORT EDGE AS SHOWN ABOVE. SECURE THE OSB TO EACH BATTEN WITH FOUR 30mm NAILS. REPEAT PROCEDURE TO MAKE UP SECOND ROOF SECTION.

6



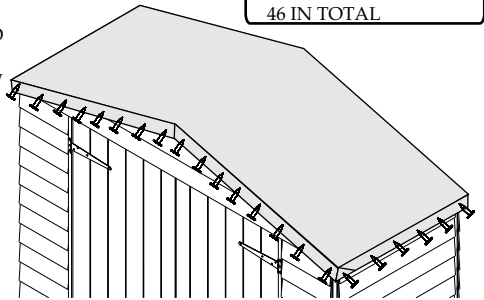
PLACE AN ASSEMBLED ROOF SECTION ON TO THE UNIT WITH THE 830mm BATTEN TO THE OUTSIDE. SECTION SHOULD BE POSITIONED WITH EQUAL OVERHAND AT FRONT AND BACK. SECURE ROOF SECTION IN PLACE WITH TWELVE 30mm NAILS PLACED AS SHOWN. REPEAT PROCEDURE FOR REMAINING ROOF SECTION.



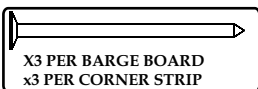
7

OPEN ROOFING FELT AND ROLL OUT FLAT ON GROUND. ROLL FELT ON TO ROOF SO THAT FELT RUNS FROM SIDE TO SIDE. ALLOW EQUAL OVERHANG TO FRONT AND BACK AND APPROXIMATELY 40mm AT SIDES. TRIM EXCESS FELT AND SECURE IN PLACE WITH FELT NAILS AT 150mm INTERVALS. FOLD FELT AT CORNERS AND SECURE FOLD WITH A FELT NAIL.

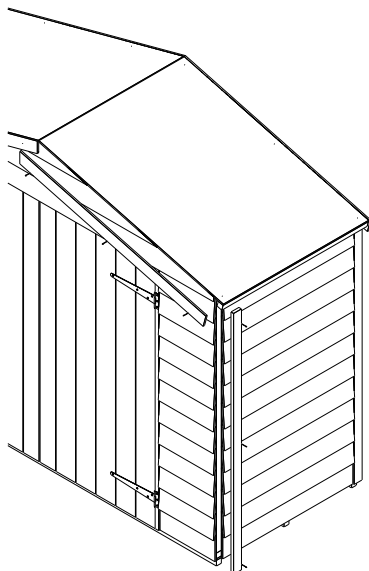
FELT NAIL PLACED AT 150mm INTERVALS. 46 IN TOTAL



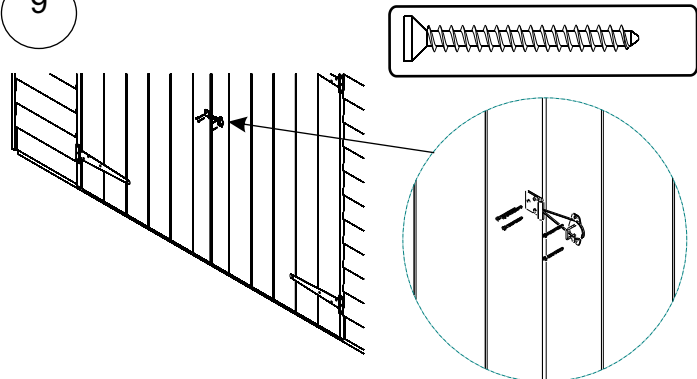
8



FASTEN EACH OF THE FOUR BARGE BOARDS IN PLACE WITH THREE 30mm NAILS. BARGE BOARDS SHOULD BE FLUSH WITH TOP EDGE OF ROOF AND MEET AT THE APEX (HIGHEST POINT) OF THE UNIT. SECURE EACH OF THE FOUR CORNER STRIPS IN PLACE WITH THREE 30mm NAILS.



9



ATTACH HASP TO OUTSIDE OF LEFT HAND DOOR USING THREE 30mm SCREWS. ATTACH STAPLE TO OUTSIDE OF RIGHT HAND DOOR USING TWO 30mm SCREWS. FOR BOTH THE HASP AND STAPLE, ENSURE THAT THE SCREWS LOCATE INTO THE SHORT HORIZONTAL BATTEN ON THE BACK SIDE OF THE DOOR.