

OVERLAP MOWER STORE - ASSEMBLY INSTRUCTIONS

SHOULD YOU REQUIRE ANY ADDITIONAL GUIDANCE WITH THE ASSEMBLY OF YOUR SHED PLEASE CONTACT OUR TECHNICAL HELP LINE ON 0844 248 9853.



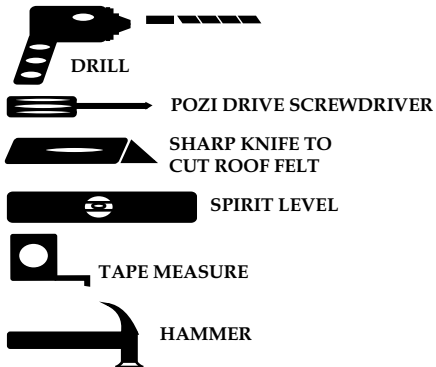
IMPORTANT:
ASSEMBLY OF THIS SHED REQUIRES TWO PEOPLE

ISSUE 0808

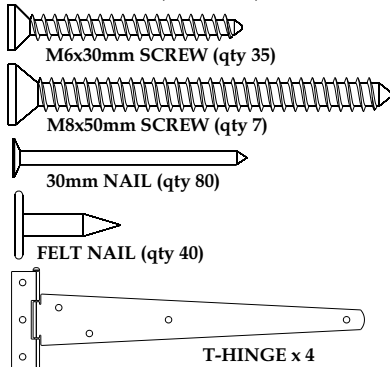
Thank you for choosing this garden building manufactured by the UK's largest manufacturer of timber garden products. In order to gain the most benefit from it, please note the following:

- Exercise particular care and follow instructions whilst cutting the roofing felt. If it is cut incorrectly, additional roofing felt can be inexpensively purchased from most good DIY retailers or garden centres.
- Most buildings are pre-treated with a factory base coat for protection during storage and transit. We recommend that you treat your new building as soon as possible after assembly, using a wood preservative treatment. Apply in accordance with the manufacturers instructions.
- If there are any technical queries with the product, please contact our customer help line on 0844 248 9853 between the hours of 8.30 am and 5.00 pm Monday to Friday.
- Please ensure that you thoroughly check all component parts for quantity and quality before you commence building the product. If there are any missing parts, please contact the help line as shown immediately. The manufacturer cannot be held liable for damaged items once any part of the product has been fitted or altered in any way (e.g. Painted)
- Timber is a natural material. It will shrink and swell as a result of varying moisture content.
- Please keep all plastic bags and small parts away from children in order to reduce the risk of suffocation.

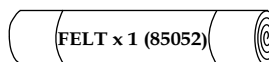
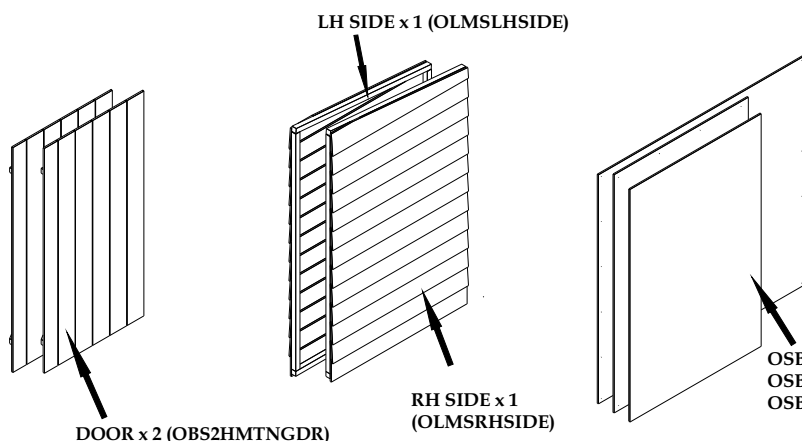
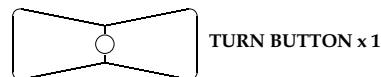
REQUIRED TOOLS : (NOT SUPPLIED)



FIXING PACK (OLMSFP) CONTENTS :



PLEASE NOTE: ALL SCREWS AND NAILS SHOWN BELOW AND IN INSTRUCTIONS ARE TO SCALE TO ASSIST IN IDENTIFICATION OF REQUIRED FIXINGS.



FLOOR BATTENS :(28281381PTR)
28x28x1381mm QTY 4

HINGE STRIPS: (45151295DTR)
45x15x1295mm QTY 2

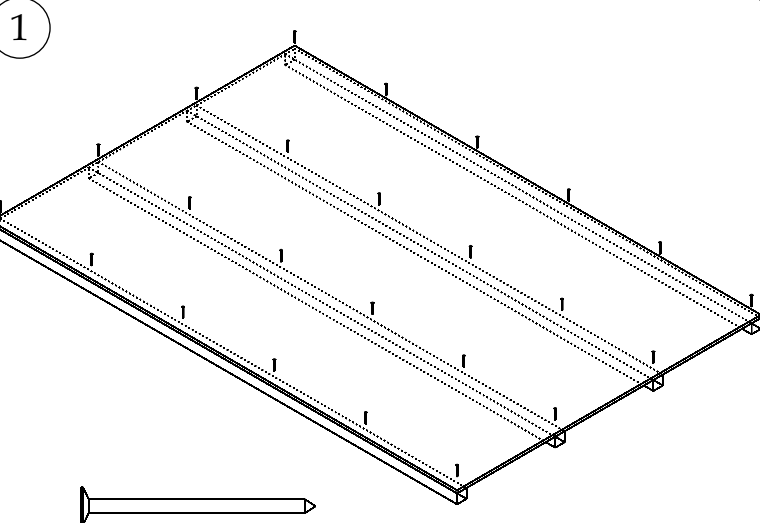
FRONT INSERT BOARD :
125x8x1415mm QTY 1 : (125081415DTR)

FRONT INSERT BATTENS
:28x28x1325mm QTY 2 : (28281325)

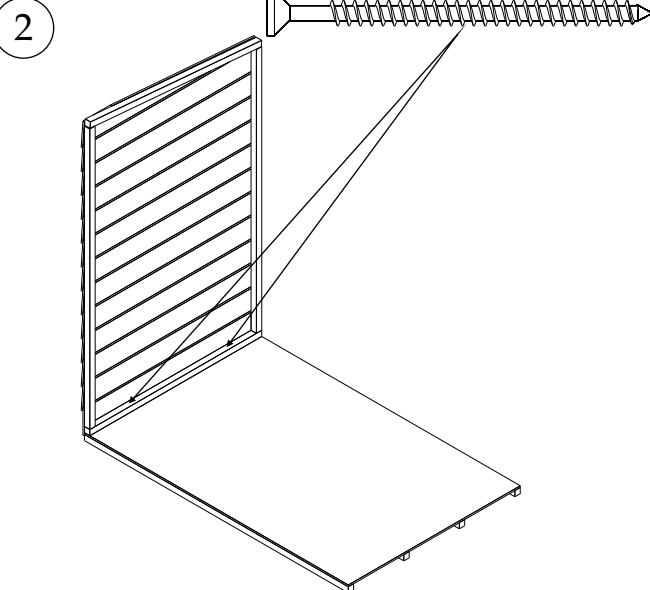
BARGE BOARDS :
61x8x920mm QTY 2 : (61080920DTR)
61x8x1431mm QTY 1 : (61081431DTR)

DOOR SLAMMING STRIP :
28x28x1255mm QTY 1 : (28281255)

OSB FOR ROOF 1415x920mm (14159208)
OSB FOR FLOOR 1381x900mm (13819008)
OSB FOR BACK 1360x1415mm (136014158)

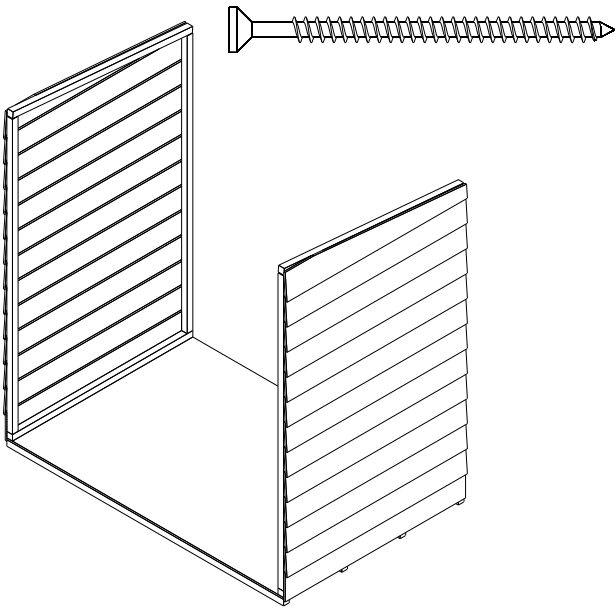


Place the four 28x28x1381mm (28281381PTR) battens onto the ground so that ends are flush, and there is an equal gap between each one. Place 1381x900mm sheet of oSB (13819008) on top of the battens. Secure sheet of oSB to each batten with six 30mm nails placed as shown below. It is vital that the nails locate into the battens.



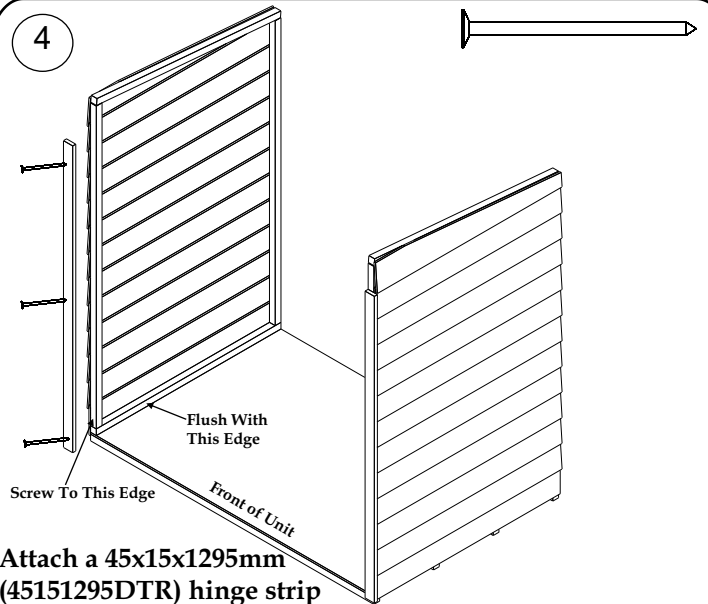
Place one of the side sections (OLMSLHSIDE) onto floor section. Taller edge of side section should be at front of unit. Ensuring that both edges of side panel are flush with edges of floor, secure in place with two 50mm screws. It is important that screws locate into floor bearers.

3



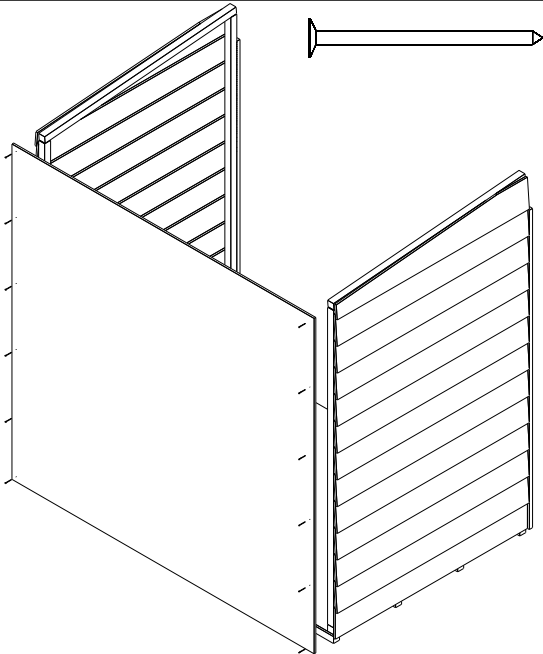
Repeat procedure outlined in step 2 to position and secure remaining side panel (OLMSRHSIDE).

4



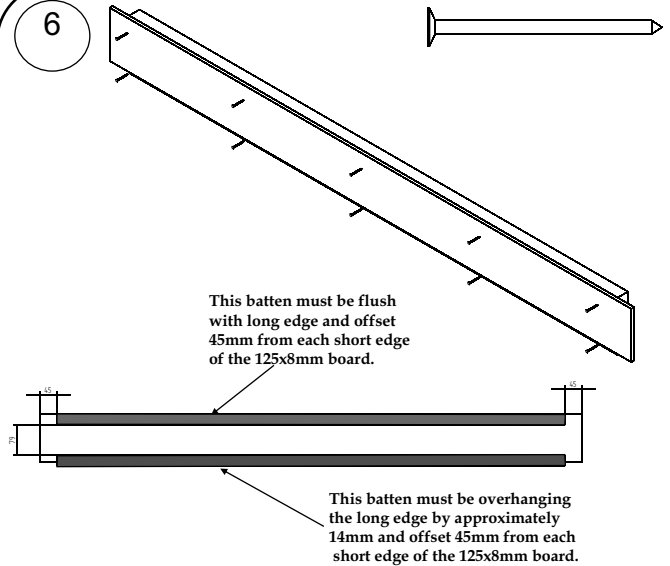
Attach a 45x15x1295mm (45151295DTR) hinge strip to each side panel with three 30mm nails. Each strip must be flush with bottom of side panel cladding and inner edge of side Panel framework.

5



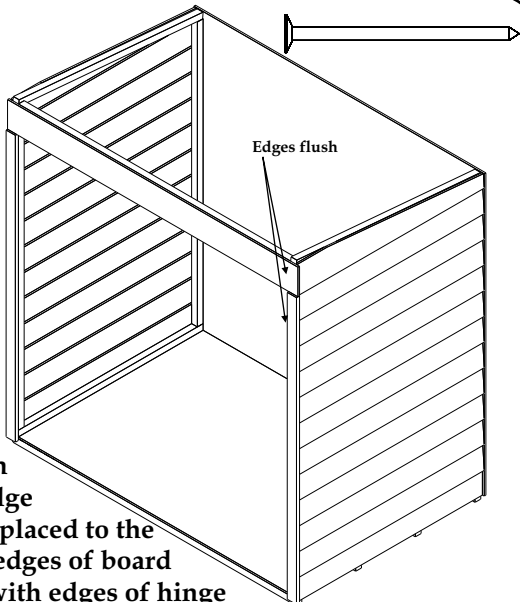
Attach 1360x1415mm sheet of oSB (136014158) to back (low side) of unit with twelve 30mm nails as shown above.

6



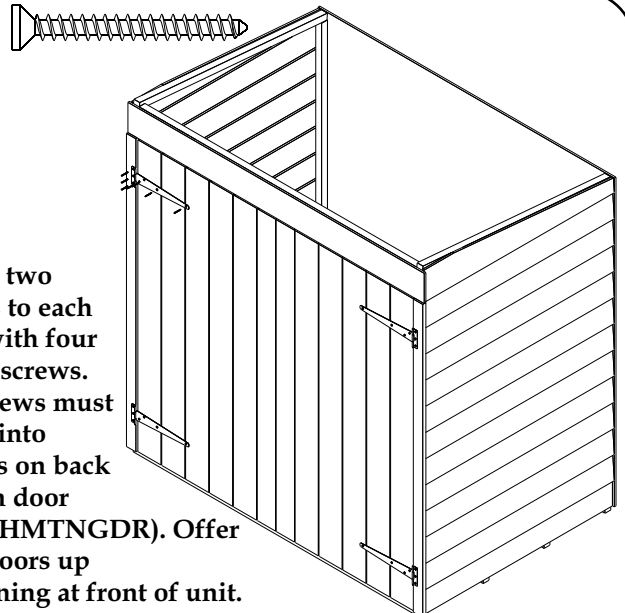
Attach 125x8x1415mm board (125081415DTR) to two 28x28x1325mm battens (28281325) with five 30mm nails per batten.

7



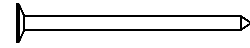
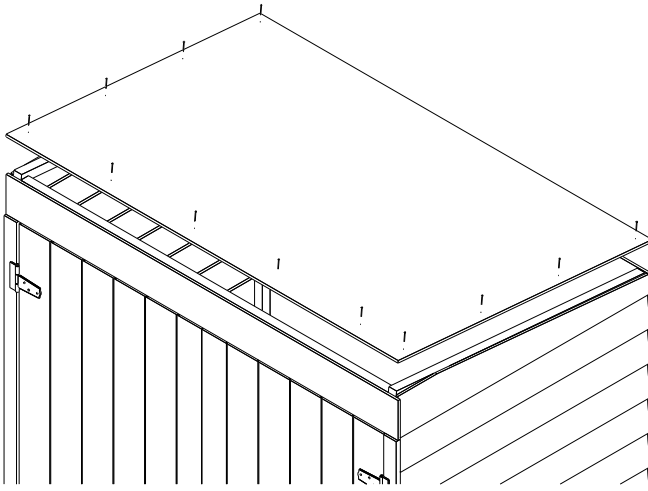
Place the board with two battens between side sections. Batten that has long edge Offset must be placed to the bottom. Short edges of board must be flush with edges of hinge strips. Secure in place at either end with two 30mm Nails.

8



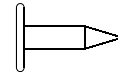
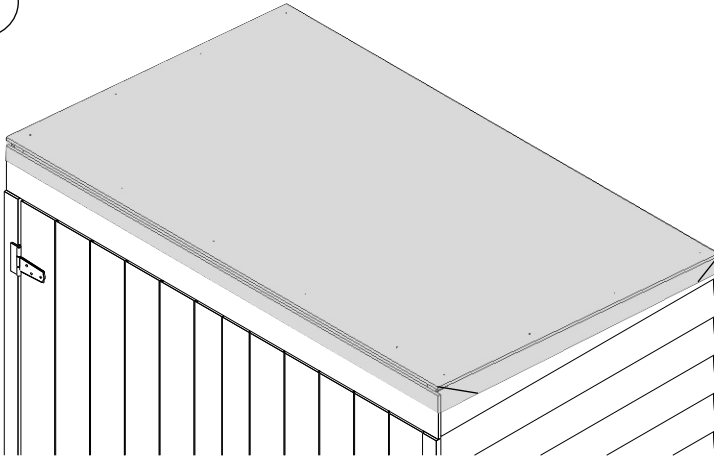
Attach two hinges to each door with four 30mm screws. All screws must locate into battens on back of each door (OBS2HMTNGDR). Offer both doors up to opening at front of unit. Allowing equal gap all around, attach each door to unit with three 30mm screws.

9



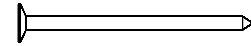
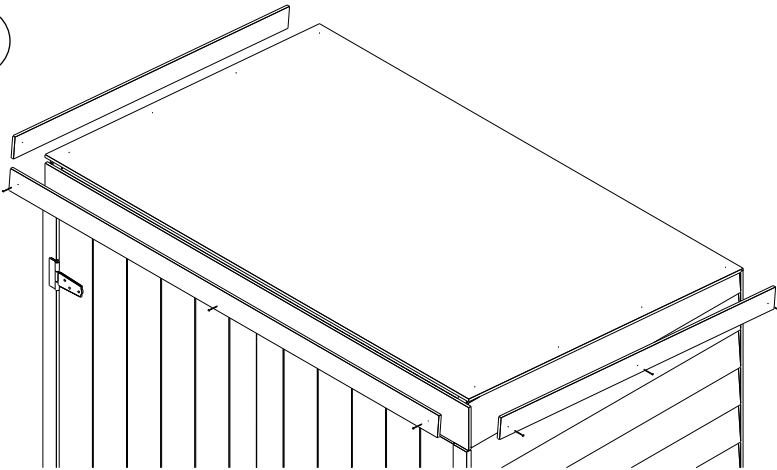
Place 1415x920mm sheet of osb on top of unit. OSB should overlap at either side of the unit be equal amounts, and should be flush with the oSB back of the unit. Secure to framework of each side, and front of unit with 30mm nails placed as shown.

10



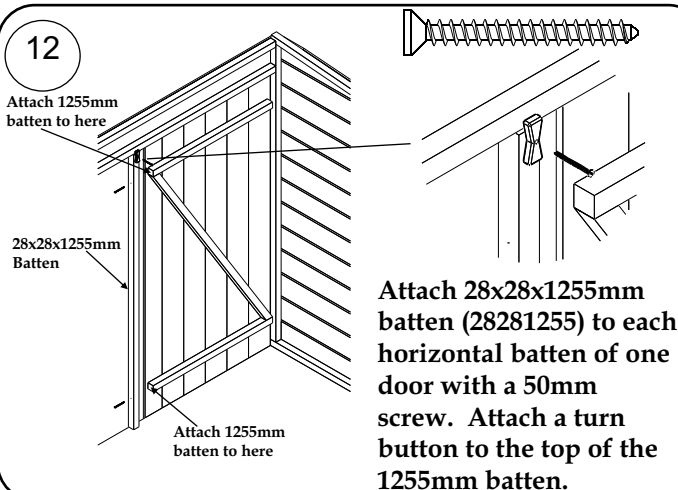
Place sheet of felt (85052) on top of roof. Allowing equal overhang to front, back, and both sides, secure in place with felt nails at 150mm intervals. You will be required to cut and fold the felt at all corners, and secure each fold in place with a felt nail.

11



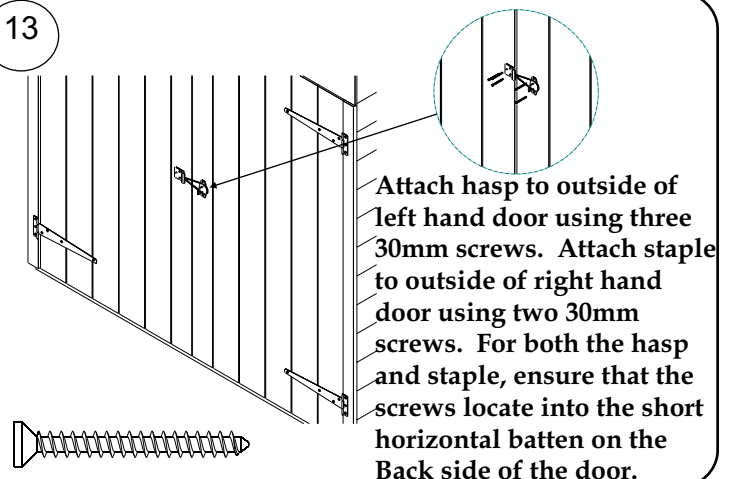
Attach a 61x8x920mm barge board (61080920DTR) to each side of the unit with three 30mm nails. Attach a 61x8x1431mm barge board (61081431DTR) to the front of the unit with three 30mm nails. Top edge of all barge boards should be flush with top of roof.

12



Attach 28x28x1255mm batten (28281255) to each horizontal batten of one door with a 50mm screw. Attach a turn button to the top of the 1255mm batten.

13



Attach hasp to outside of left hand door using three 30mm screws. Attach staple to outside of right hand door using two 30mm screws. For both the hasp and staple, ensure that the screws locate into the short horizontal batten on the Back side of the door.