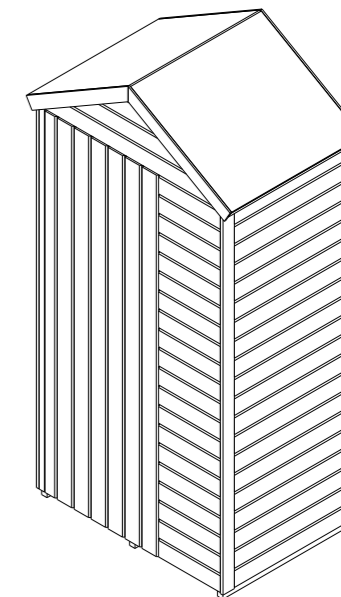
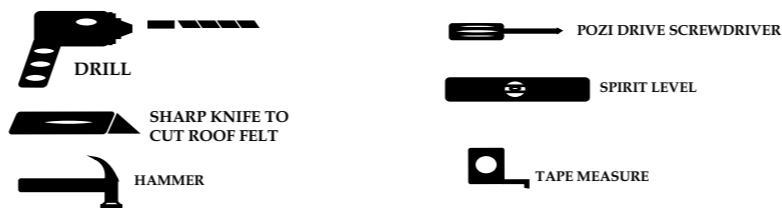


LARGE SENTRY BOX

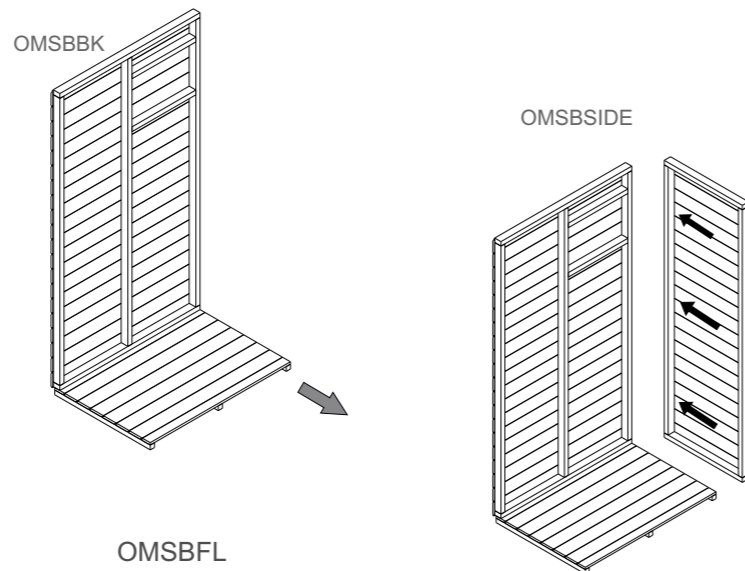
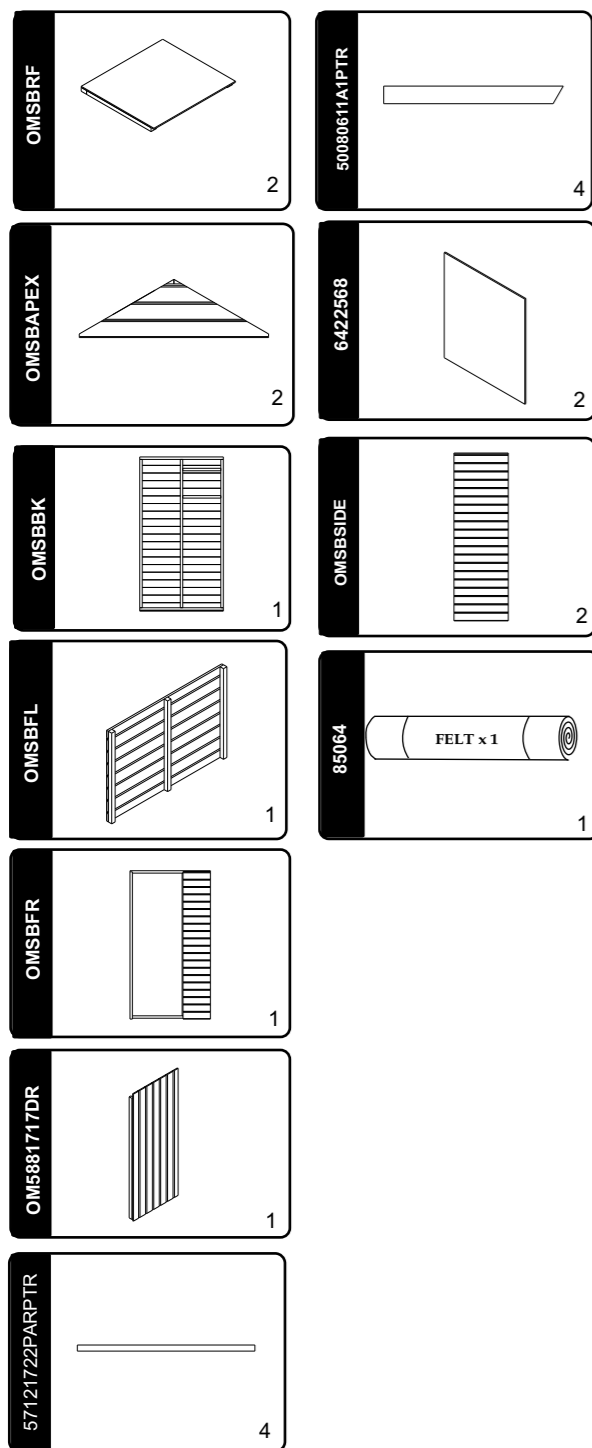
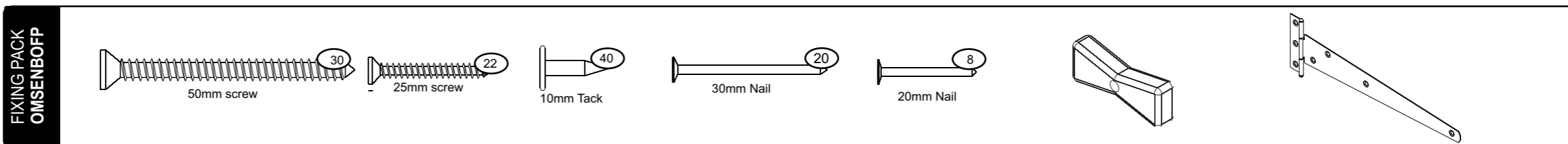


JE

REQUIRED TOOLS : (NOT SUPPLIED)

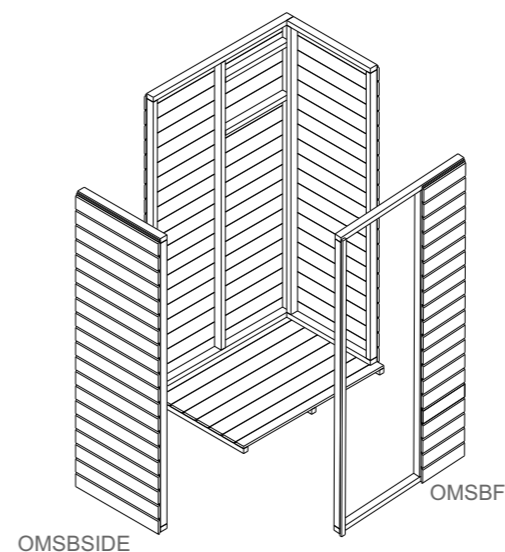


PRE DRILL ALL HOLES BEFORE SCREWING

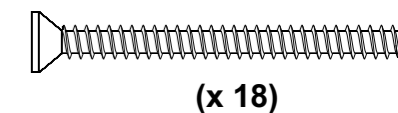


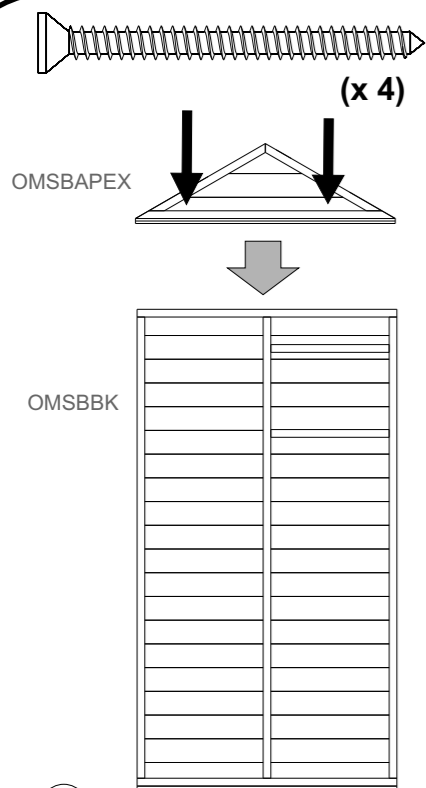
A Place the **OMSBBK** (back panel) on top of the **OMSBFL** (floor) so that the boards overhang the edge and the sides are flush. Place a **OMSBSIDE** (side panel) in the same way making sure that it butts up against the plain panel. Secure these together using 3 x 50mm screws.

B Repeat the process in step (A), placing the other **OMSBSIDE** onto the floor and flush against the **OMSBBK**. Secure the panel in place using 3x50mm screws.
Repeat the procedure for **OMSBFR** (front)



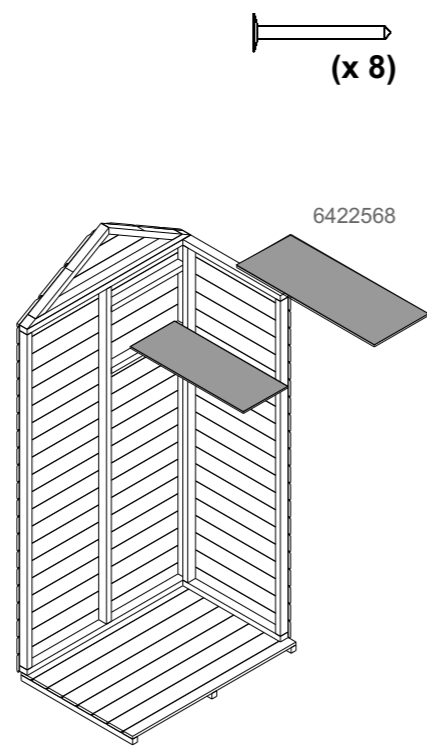
C When the frame of the building is complete and square. Secure the panels to the floor using 1x50mm screws for each **OMSBSIDE** and use 2x50mm screws for the **OMSBBK** and **OMSBFR**.



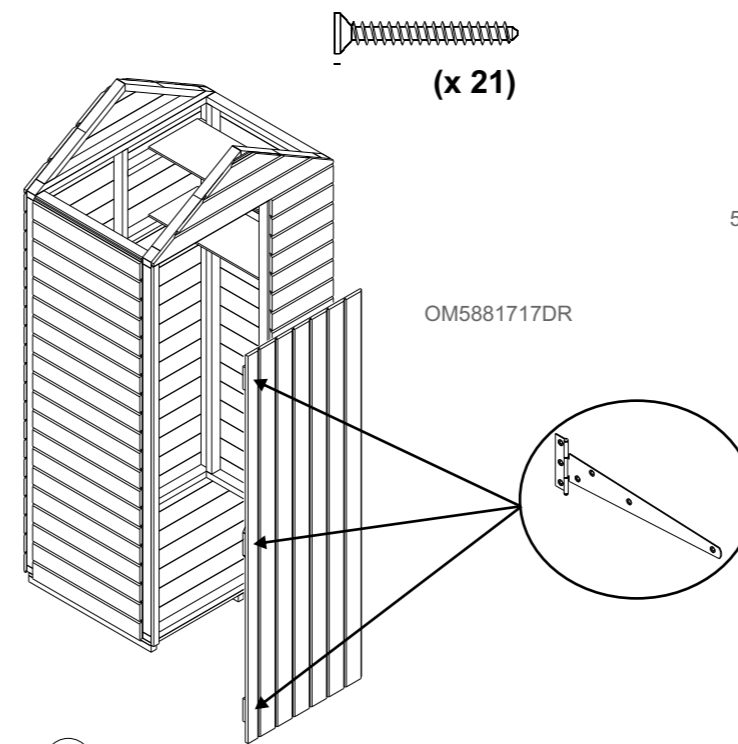


D Place the **OMSBAPEX** (apex) onto the top of the **OMSBBK** making sure that the battens and boards line up correctly. Secure in place screwing downwards using 2x50mm screws.

Repeat the procedure for **OMSBFR** and remaining **OMSBAPEX**.

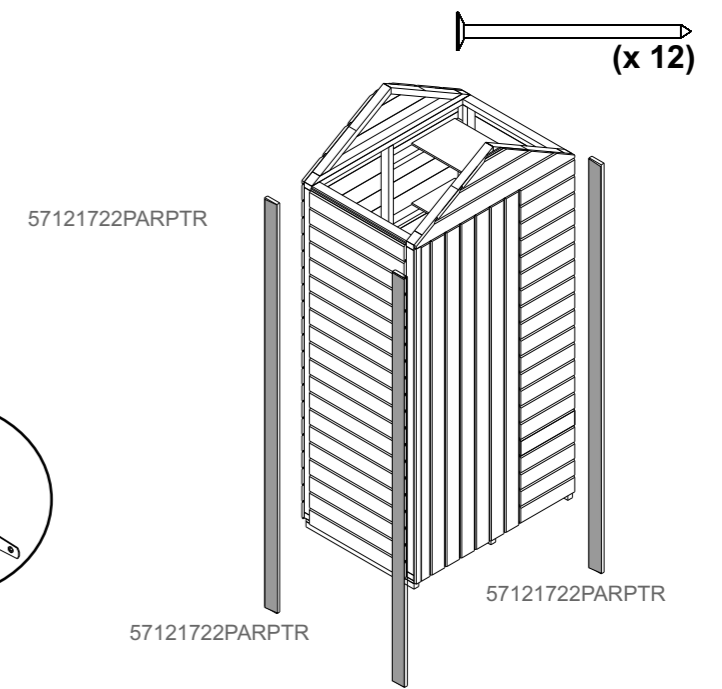


E Place the two **6422568** (shelves) on to the battens on the inside of the **OMSBBK** and the **OMSBFR** panels. Secure in place using 4x20mm nails to secure each shelf in place.

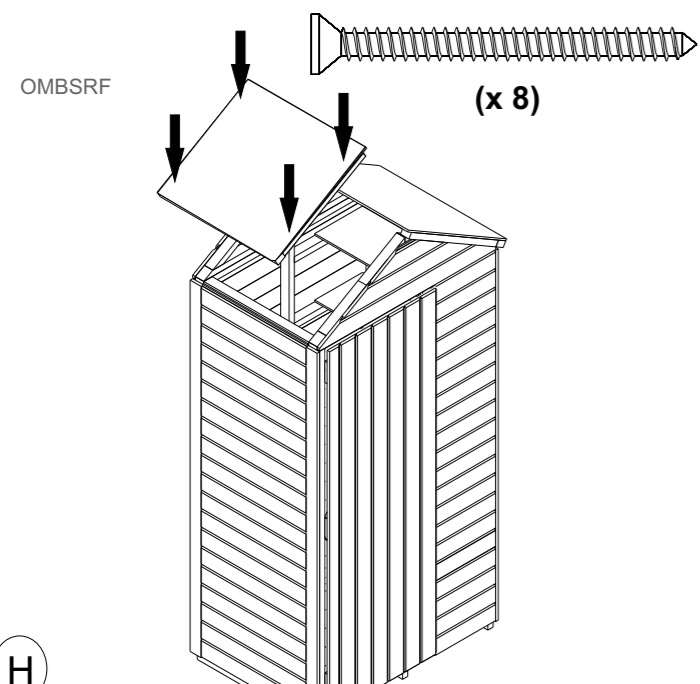


F Fix three tee hinges to **OM5881717DR** (door). Screwing into the battens on the reverse, using 4x25mm screws per hinge.

Offer the door **OM5881717DR**. Making sure that the door is level and has sufficient clearance at the top and bottom, fix the hinges to the batten at the side of the door way using 3x25mm screws per hinge.

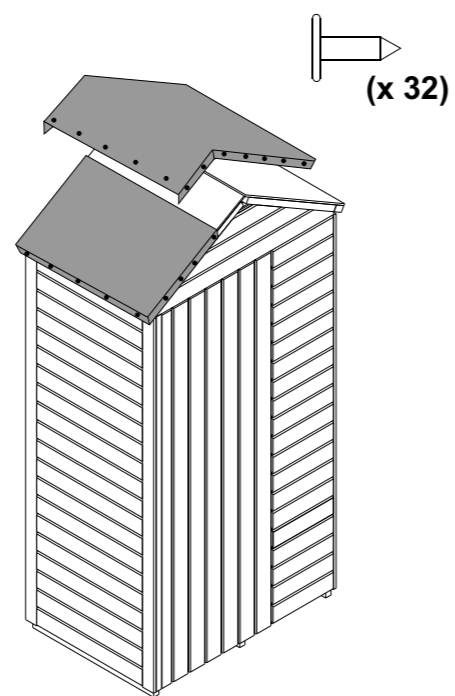


G Place the **57121722PARPTR** (corner strips) so that they are flush in the corners where the panels meet as shown. Secure each in place using 3 x 30mm nails.



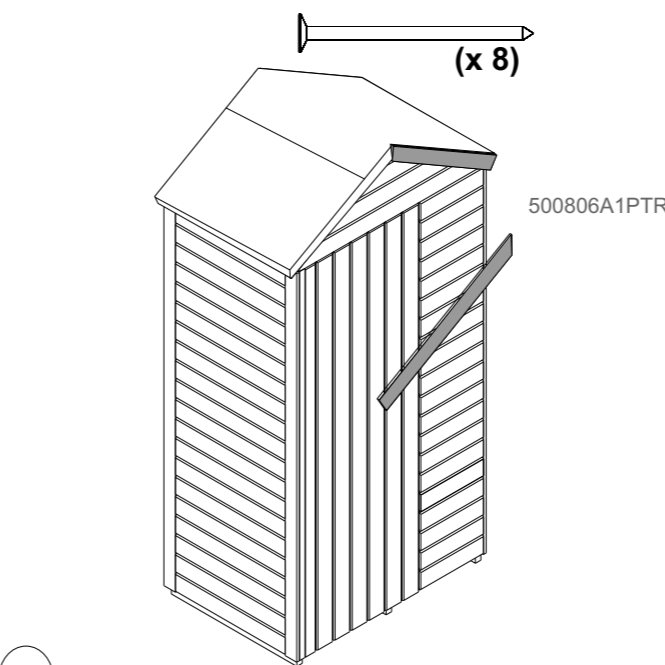
H Place the **OMBSRF** (roof) onto the sentry box so that it sits on the frame work of the **OMBSFR** and **OMSBBK**. Make sure that the its is in line with the apex and secure in place using 4x50mm screws as shown.

Repeat with the for the remaining **OMBSRF**.

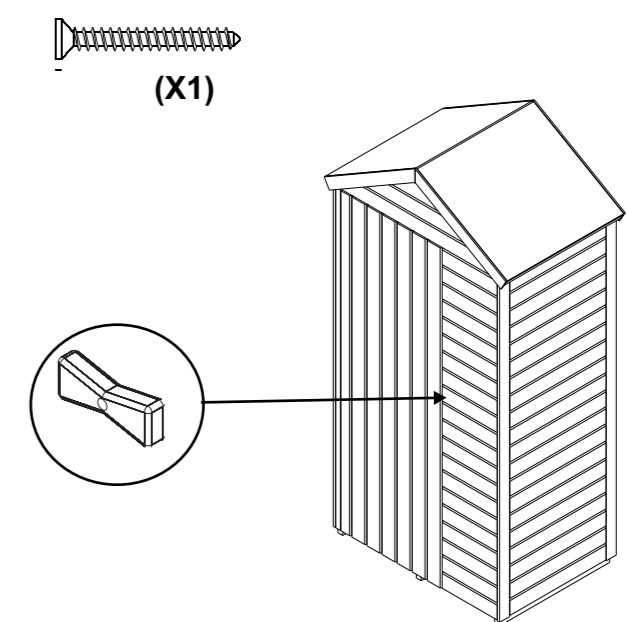


I Cut the 85064 (felt) into two equal lengths and position on the building as shown.

Secure the felt in place using the felt tacks provided, spaced approximately 150mm apart.



J Place the **50080611A1PTR** (barge boards) against the outside of the sentry box as shown. Make sure that they line up at the apex and are flush on all sides. Secure using 2x30mm nails per board.



K Place the turn button against the panel, making sure that it will hold the door shut.

Fix in place using 1x25mm screw.