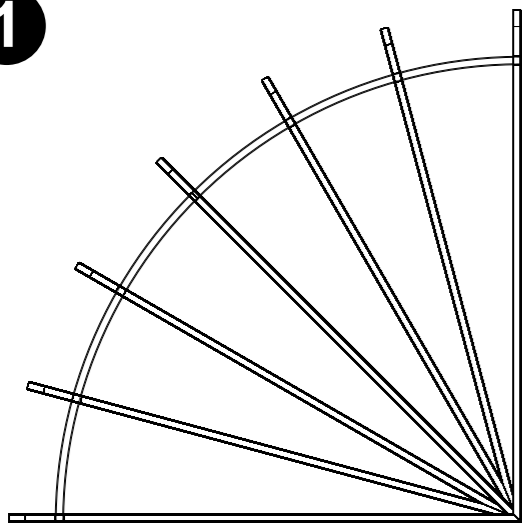
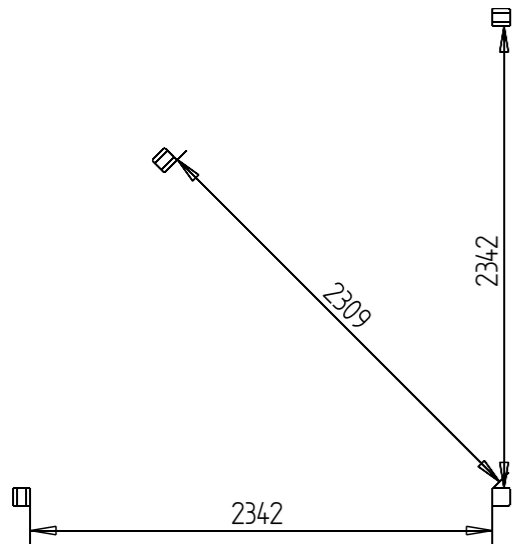


1



Before starting the construction it is a good idea to lay the rafters out on the ground and make sure that they all line up, and for the positioning of the posts.

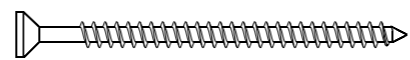
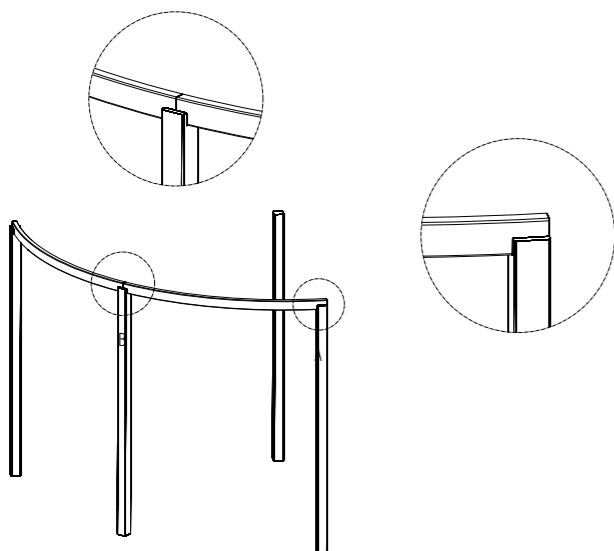
2



Locate the notched posts so they are 18 inches in the ground and the un notched post 20 inches into the ground.

Alternatively if you are using a fencefast you will need to trim this off the bottom of each post.

3

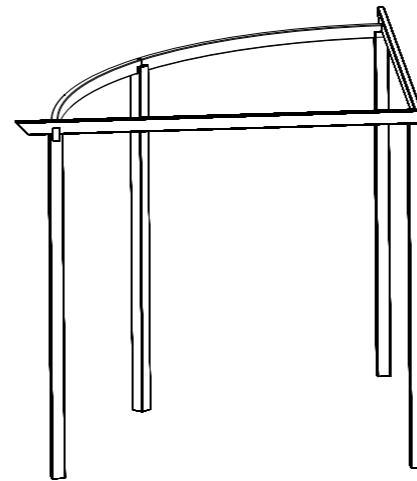


4
50mm

Slot the Arced rafters into the notched posts as shown.

Secure using 2x50mm screws for the middle and 1x50mm screw for each of the outer posts through the notched post into the arced rafter.

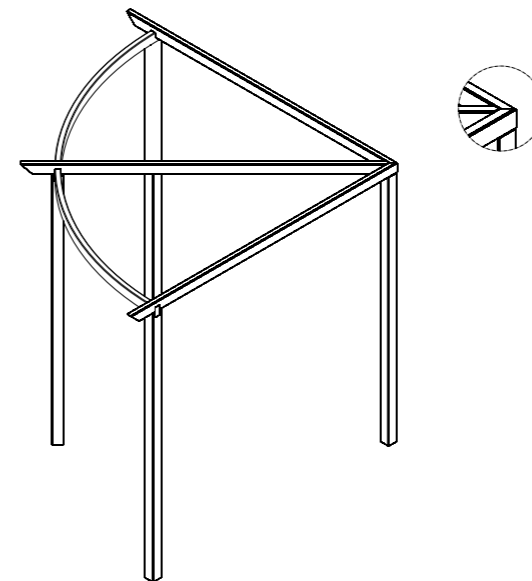
4



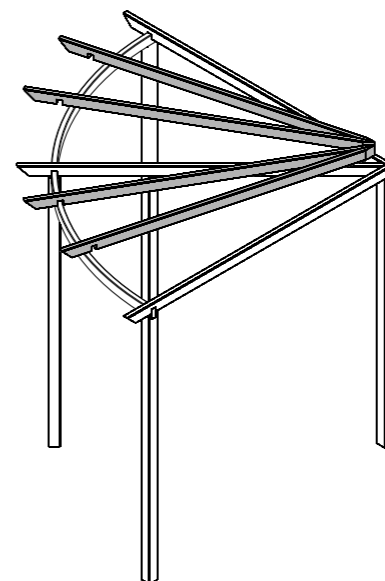
Slot the Rafter 1 and 7 onto the ends of the arc rafters as shown. Make sure that they in line with each other and the un notched post.

Do not secure to the post at this time.

5

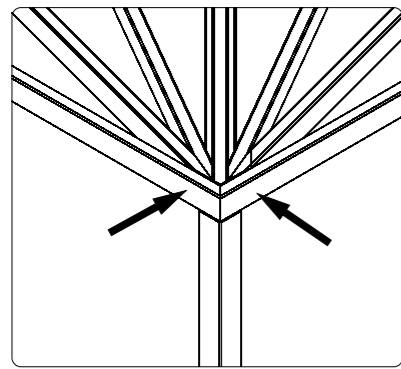
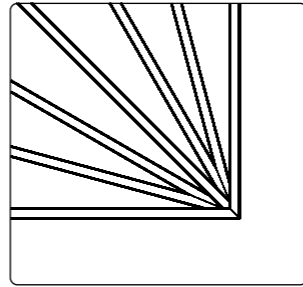
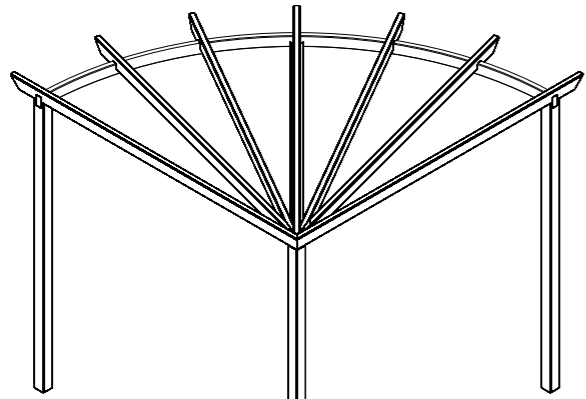
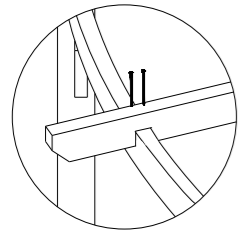
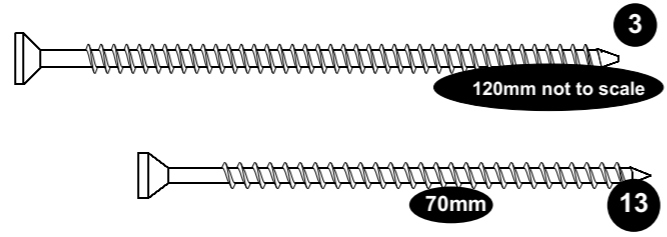


Place Rafter 4 so that the notch overlaps the join between the two arc rafters and sits on the un notched post central, between the other rafters.



Place the remaining rafters.

6



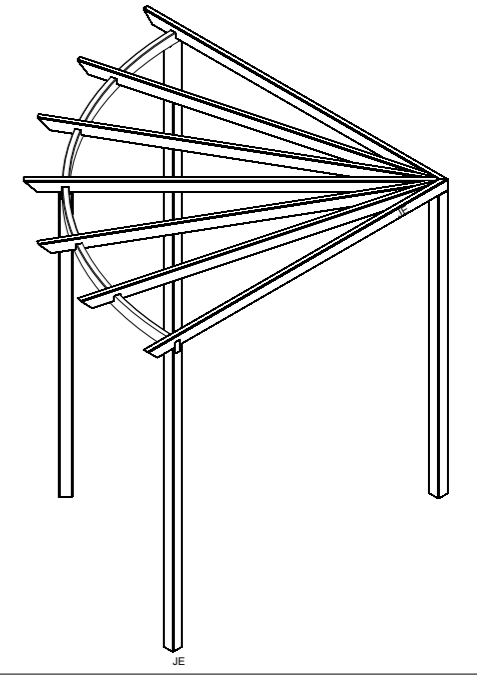
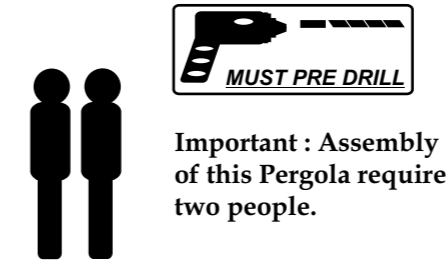
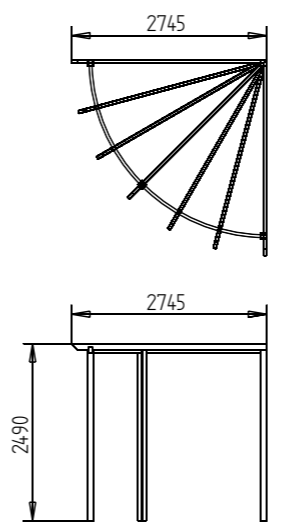
When all the rafters are in the correct positions fix them to the arced rafter by screwing through the rafter using a 70mm screw for each.

Secure the rafters to each other using 2x120mm screws, screwing from each side as shown.

Using the remaining 120mm screw, secure the central rafter to the un notched post.

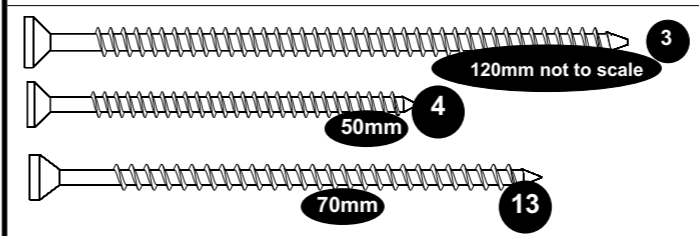
RADIAL PERGOLA 90 DEGREES

0309



- 1 RAFTER 6 RPK90R6
- 1 RAFTER 5 RPK90R5
- 1 RAFTER 4 RPK90R4
- 1 RAFTER 1 RPK90R1
- 1 RAFTER 7 RPK90R7

- 1 RAFTER 3 RPK90R3
- 1 RAFTER 2 RPK90R2
- 3 Notched Upright RPK90NP
- 1 POST RPK90P
- 2 ARC RAFTER RPK90ARC



- REQUIRED TOOLS : (NOT SUPPLIED)**
- DRILL
 - POZI DRIVE SCREWDRIVER
 - SPIRIT LEVEL
 - HAMMER
 - TAPE MEASURE