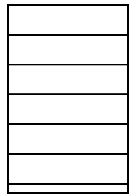
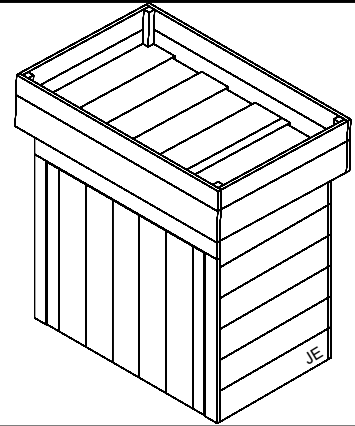


Veggie Store

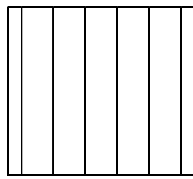
0110



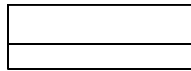
LODRLS
(SIDE PANEL
QTY 2)



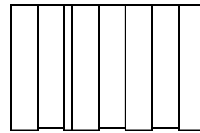
LODRLSH
(SHELF QTY 2)



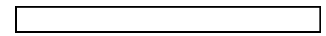
LODRLDR
(DOOR QTY 1)



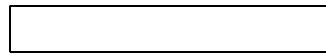
LTRS
(TRAY SIDE QTY 1)



LTRB
(TRAY BASE QTY 1)



87161032TRIPTR (87x16x1032mm)
BOARD QTY 2



137161032PTR
(137x16x1032mm) BOARD QTY 2



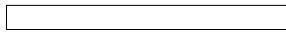
41160936PTR (41x16x936mm)
TRIMMED BOARD QTY 1



61160726TRIPTR (61x16x726mm)
BOARD QTY 2



RSPLINER (LINER)
QTY1

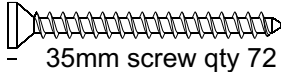


28280592PTR 592mm BATTEN QTY 2

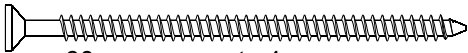


85062 (BLACK SAND FELT)

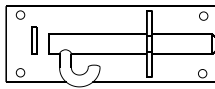
(FIXING PACK) RSPFP



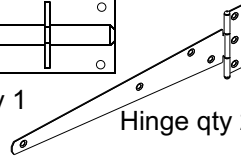
- 35mm screw qty 72



60mm screw qty 4



Pad bolt qty 1



Hinge qty 2

REQUIRED TOOLS : (NOT SUPPLIED)

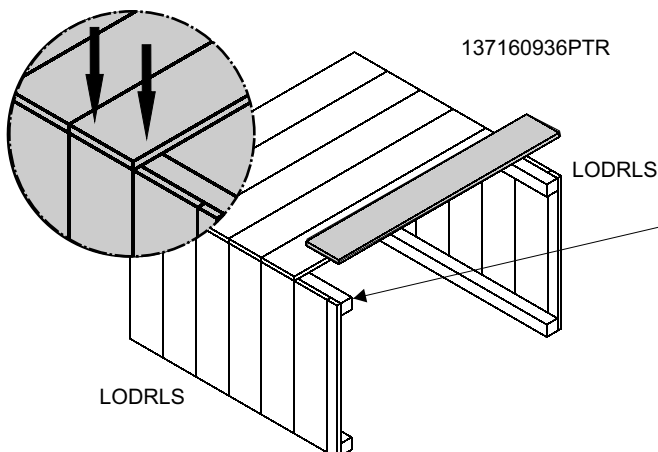
 POZI DRIVE SCREWDRIVER

 SPIRIT LEVEL

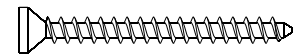
 TAPE MEASURE

 HAMMER

1



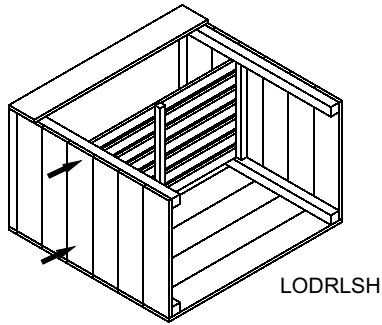
41160936PTR board at placed at the top



Qty 26

Place the two side panels opposite each other as shown. Place the 936mm boards across the back as shown making sure that they are flush on all sides. Fix each in place using 4 x 35mm screws for each board. 2 x 35mm screws for the trimmed board.

1371600936PTR



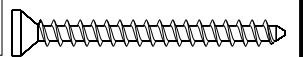
2

Turn the assembly over and place the remaining 936mm board across the top as shown using 4x35mm screws.



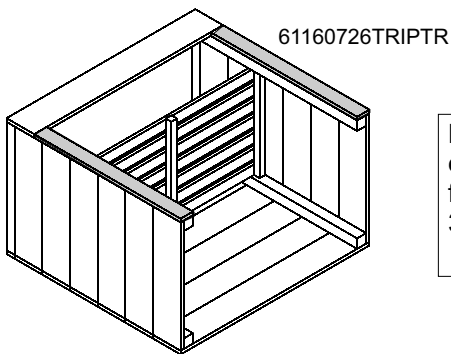
Qty 4

Place one of the shelf units to the desired height and fix in place screwing through the side panels into the shelf as shown using 4x35mm screws.



Qty 4

61160726TRIPTR



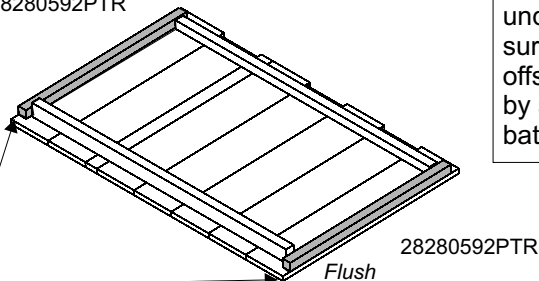
3

Place the two 726mm boards over the edges as shown making sure these are flush. Secure each in place using 2 x 35mm screws.



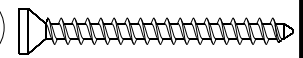
Qty 4

28280592PTR



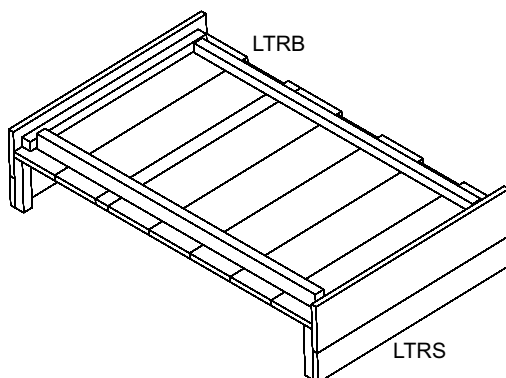
4

Place the two 592mm battens on the underside of the tray base, making sure they are flush with the side and offset 28mm from ends and fix in place by screwing through the base in to the battens using 2x35mm screws for



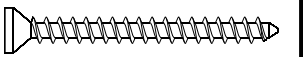
Qty 4

LTRS



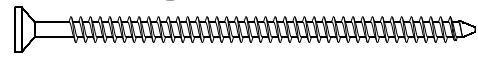
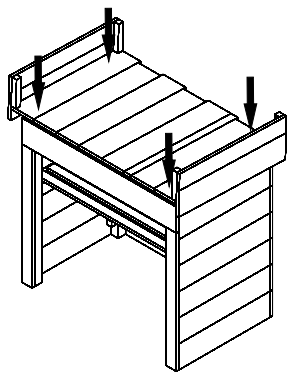
5

Place the tray base on to one of the side assemblies so that it sits on the battens. Fix in place using 2 x 35mm screws for each, screwing through the side panel into the battens you have previously placed.



Qty 4

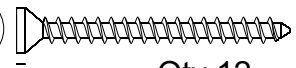
6



Qty 4

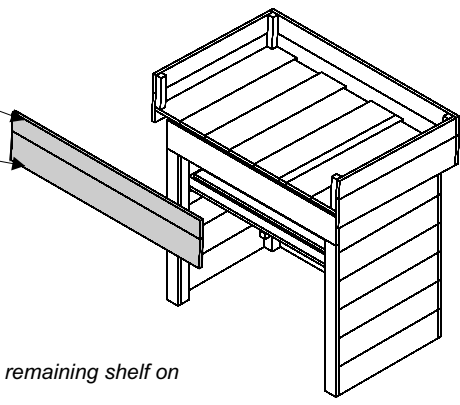
Place the tray base onto the assembly, making sure that it slopes towards the back, and fix in place using 4 x 60mm screws, screwing through the tray base into the battens of the side panels.

7



Qty 12

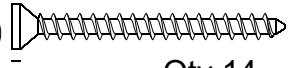
87161032TRIPTR
137161032PTR



Place the remaining 1032mm boards against the tray sides as shown. Fix in place using 35mm screws, screwing into the battens.

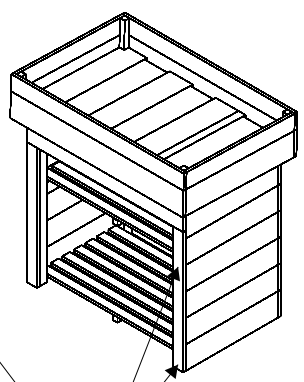
Place the remaining shelf on the floor.

8

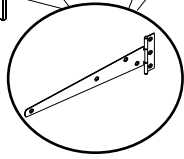
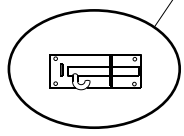


Qty 14

LODRLDR



Fix the hinges to door using 4x35mm screws, making sure that they are in line with the battens behind. Offer the door into position and secure the other half of the hinge using another 3x35mm screws.

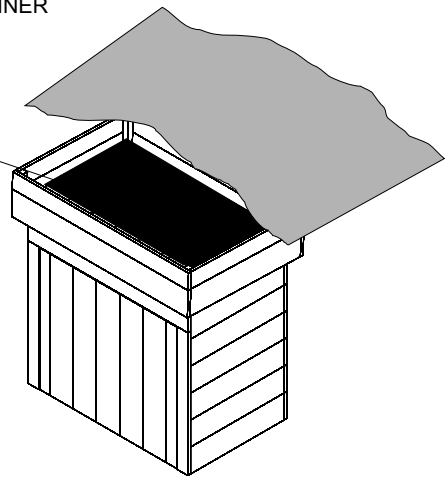


Fix the pad bolt to the door using the screws provided. Make sure this is in line with the batten behind.

LODRLLINER

9

Felt



Place the length of felt inside the tray and place the liner on top of this. Cut drainage holes in both the liner and felt at the back, where the slots in the tray base are. Add the soil, which will push the liner out to the sides. Trim off any excess.