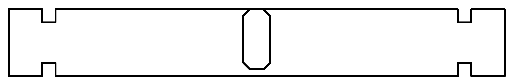
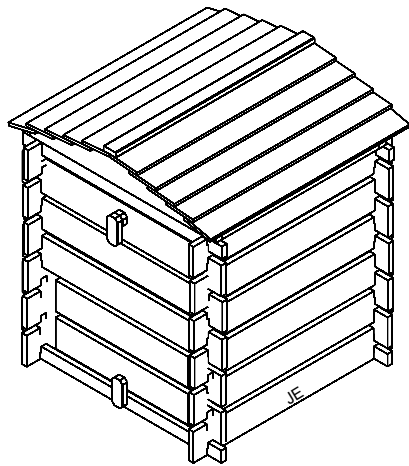
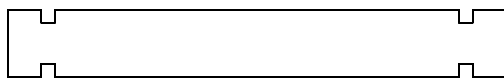


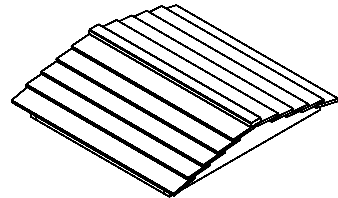
# SLOTTED BEEHIVE COMPOSTER



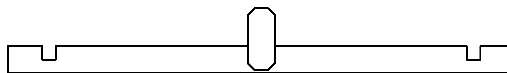
FLB (FRONT LATCH BOARD) QTY 1



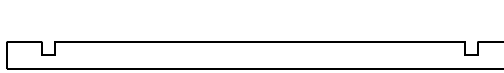
LNB (LARGE NOTCHED BOARD) QTY 19



SBHRF ( BEEHIVE ROOF) QTY 1



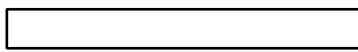
BLB (BOTTOM LATCH BOARD) QTY 1



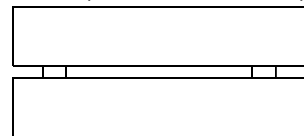
NB ( NOTCHED BOARD) QTY 3



SNB (SMALL NOTCHED BOARD) QTY 4

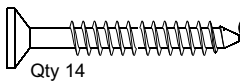


B1 (390mm BATTEN) QTY 2



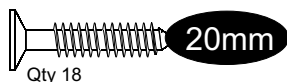
BHDR ( BEEHIVE DOOR) QTY 1

(FIXING PACK) SBHFP



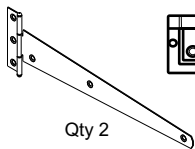
30mm

Qty 14

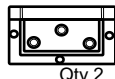


20mm

Qty 18



Qty 2



Qty 2

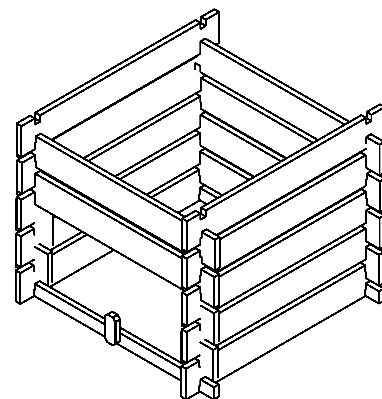
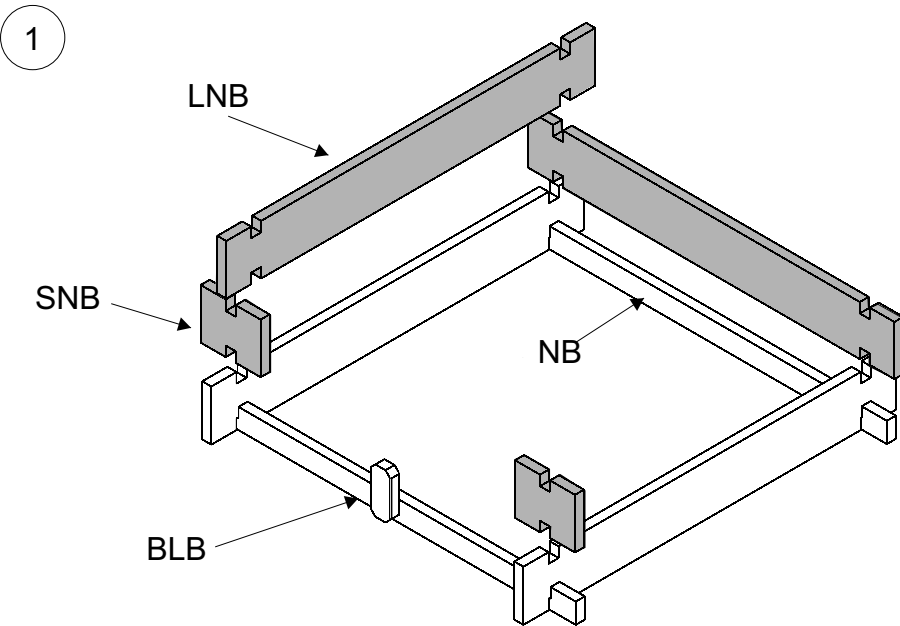
REQUIRED TOOLS : (NOT SUPPLIED)

POZI DRIVE SCREWDRIVER

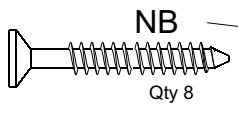
SPIRIT LEVEL

TAPE MEASURE

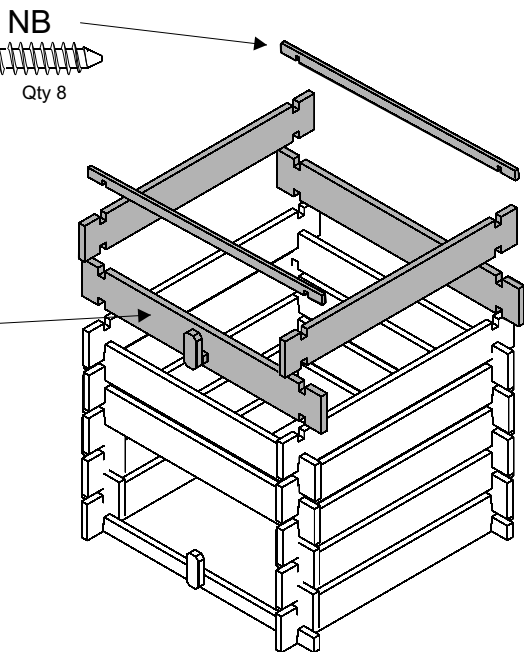
HAMMER



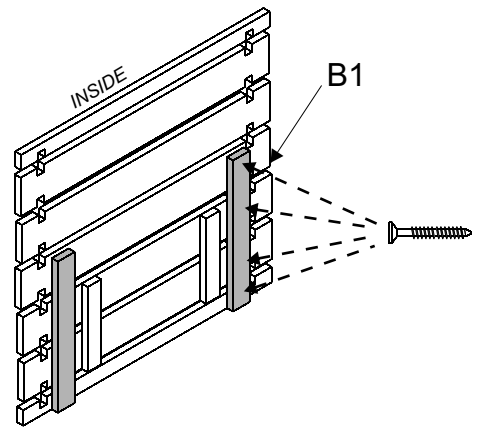
2



TLB



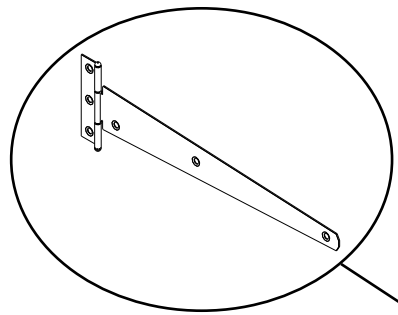
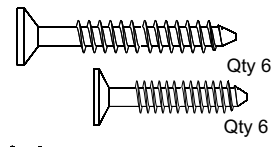
LNB



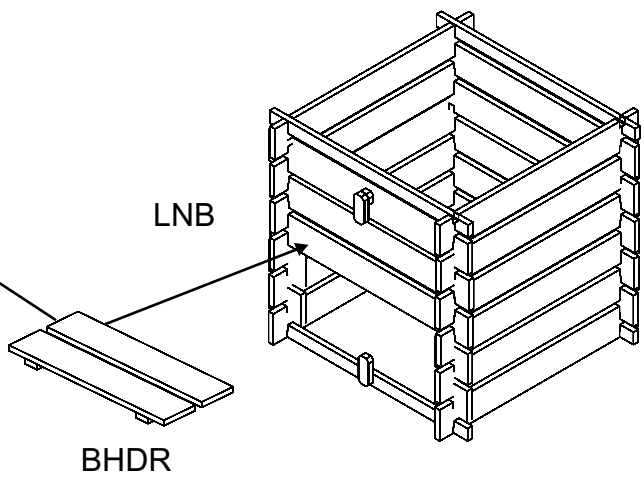
INSIDE

B1

3



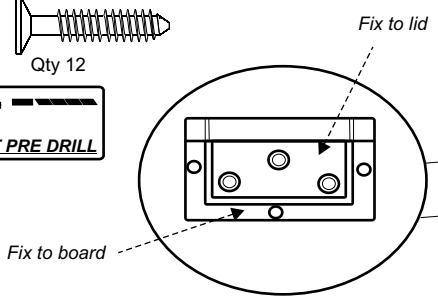
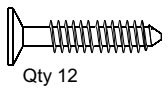
Fix the two tee hinges to the beehive door 3 x 30mm screws per hinge, making sure that they locate into the battens.  
Position the door and fix two the large notched board (LNB) using 3 x 20mm screws per hinge.



LNB

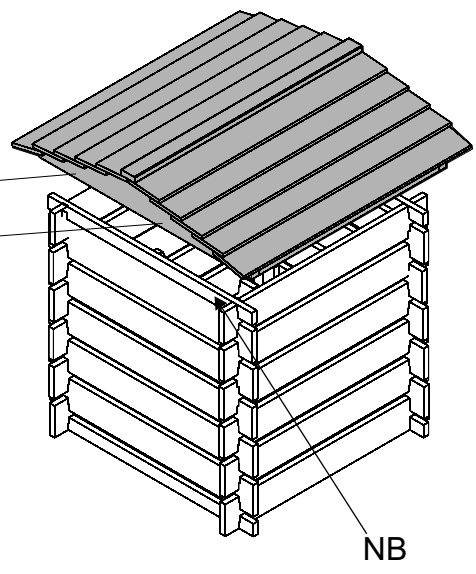
BHDR

4



SBHCRF

Fix the two hinges to the roof using 3 x 20mm screws. Make sure that the hinges are spaced evenly. Place the roof on to the composter and secure the other half of the hinges to the notched board using another 3 x 20mm screws for each.



NB