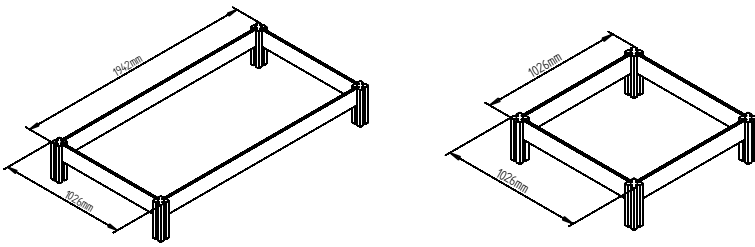


# VEG BEDS

**VB189 (VEG BED 180x90cm) VB99 (VEG BED 90x90cm)**

Issue 0109



**IMPORTANT :**  
ASSEMBLY OF THIS  
PRODUCT REQUIRES  
ONE PERSON

**REQUIRED TOOLS : (NOT SUPPLIED)**



SHOULD YOU REQUIRE ANY ADDITIONAL GUIDANCE WITH THE ASSEMBLY OF YOUR SHED PLEASE CONTACT OUR TECHNICAL HELP LINE ON 0844 248 9853



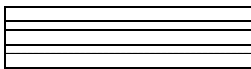
**137160912PTR**  
(137 x 16 x 912mm) Small Board

QTY  
VB99 x 4  
VB189 x 2



**137161828PTR**  
(137 x 16 x 1828mm) Large Board

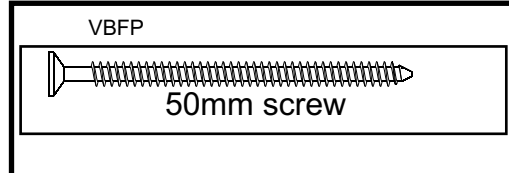
QTY  
VB189 x 2



**75750300SPTR**  
75 x 75 x 300mm) Post

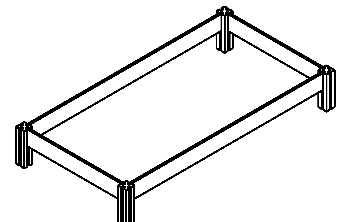
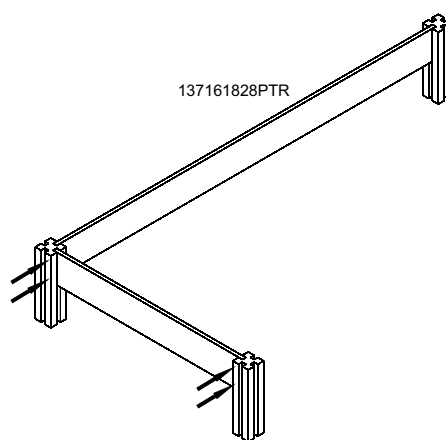
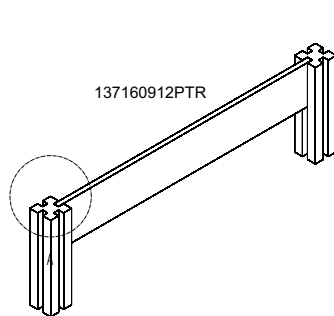
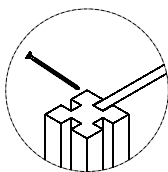


QTY 4



Thank you for choosing this garden product manufactured by the UK's largest manufacturer of timber garden products. In order to gain the most benefit from it, please note the following:

- If there are any technical queries with the product, please contact our customer help line on 0844 248 9853 between the hours of 8.30 am and 5.00 pm Monday to Friday.
- Please ensure that you thoroughly check all component parts for quantity and quality before you commence building the product. If there are any missing parts, please contact the help line as shown immediately. The manufacturer cannot be held liable for damaged items once any part of the product has been fitted or altered in any way (e.g. Painted)
- Timber is a natural material. It will shrink and swell as a result of varying moisture content.
- Please keep all plastic bags and small parts away from children in order to reduce the risk of suffocation.



Place the small board into the recesses of two posts. Make sure the board is flush with the top and secure in place by screwing through the post into the board using 2x50mm screws for each end.

Repeat the same step for each board.

Once the bed is constructed dig four holes and place the posts so that the bottom of the boards are on the ground.