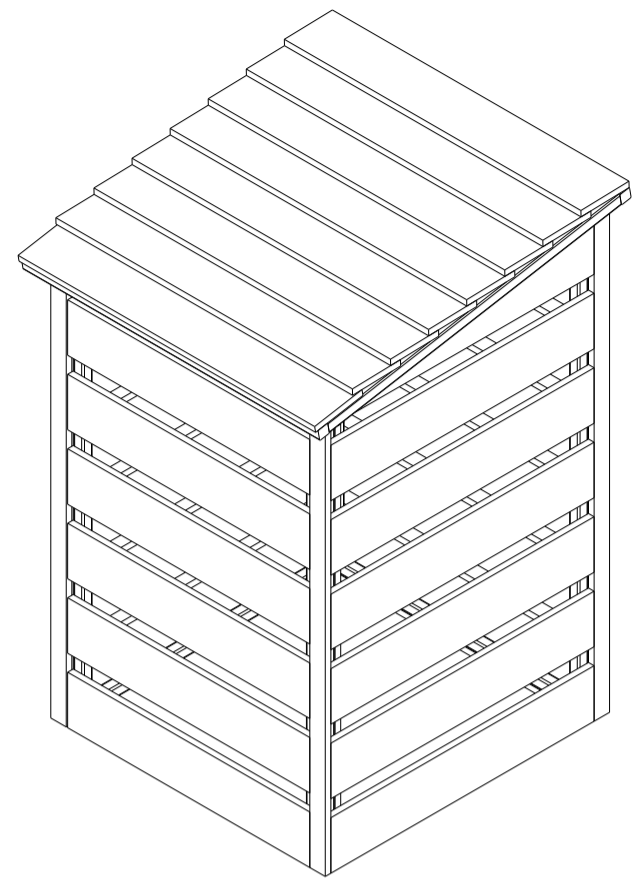
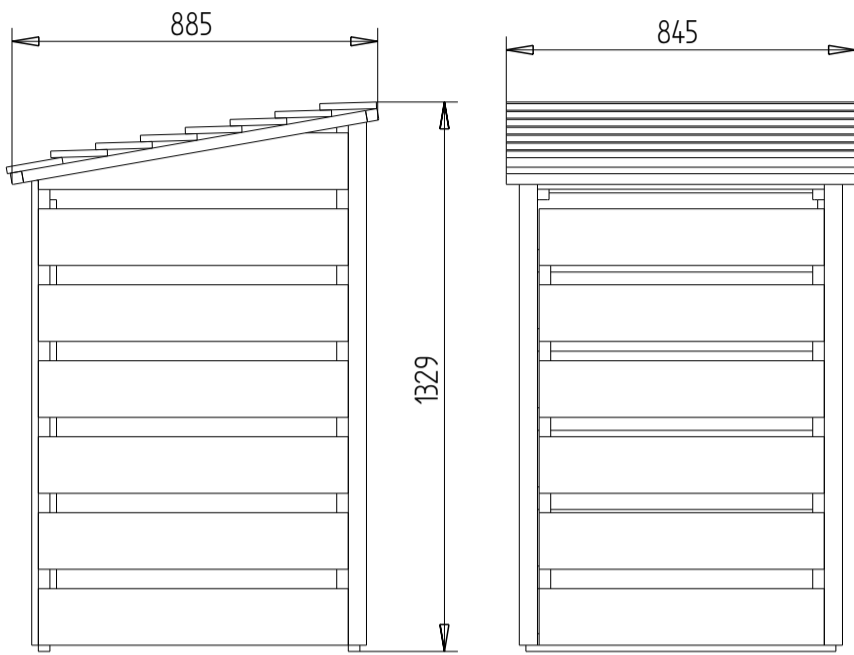


WHEELIE BIN STORE

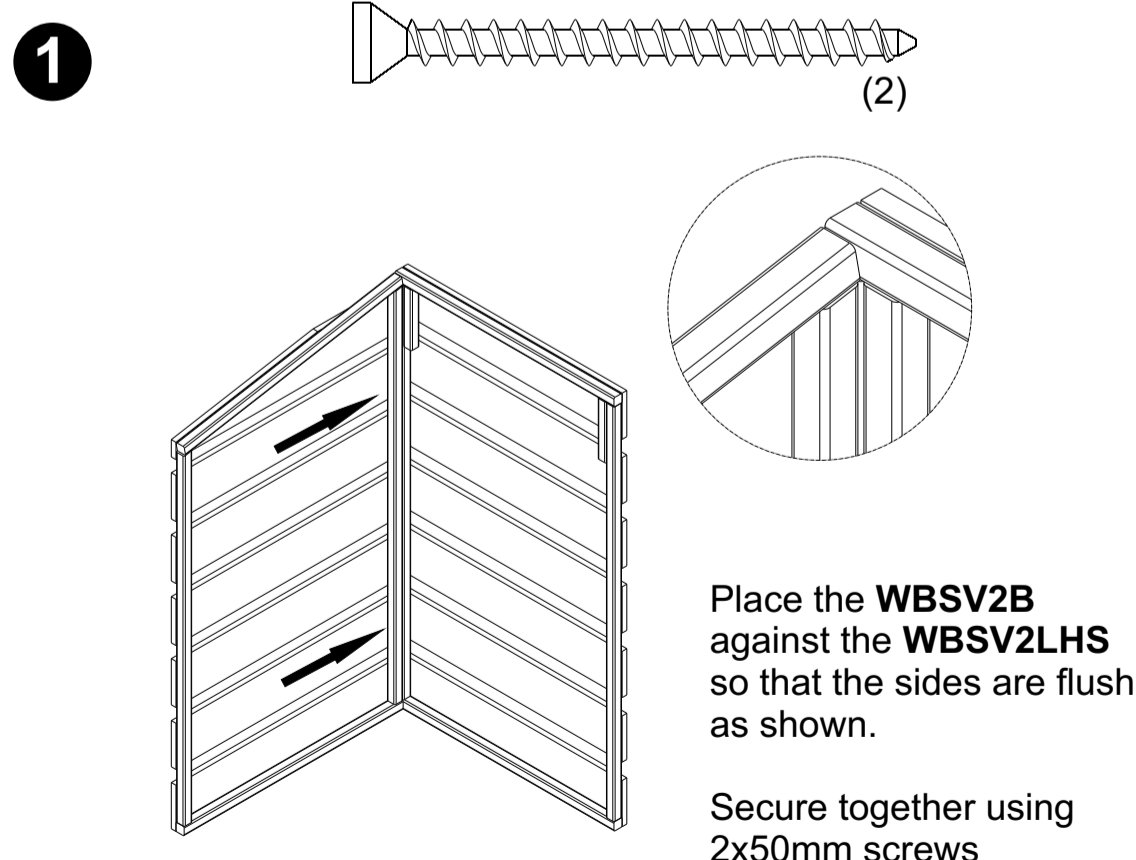
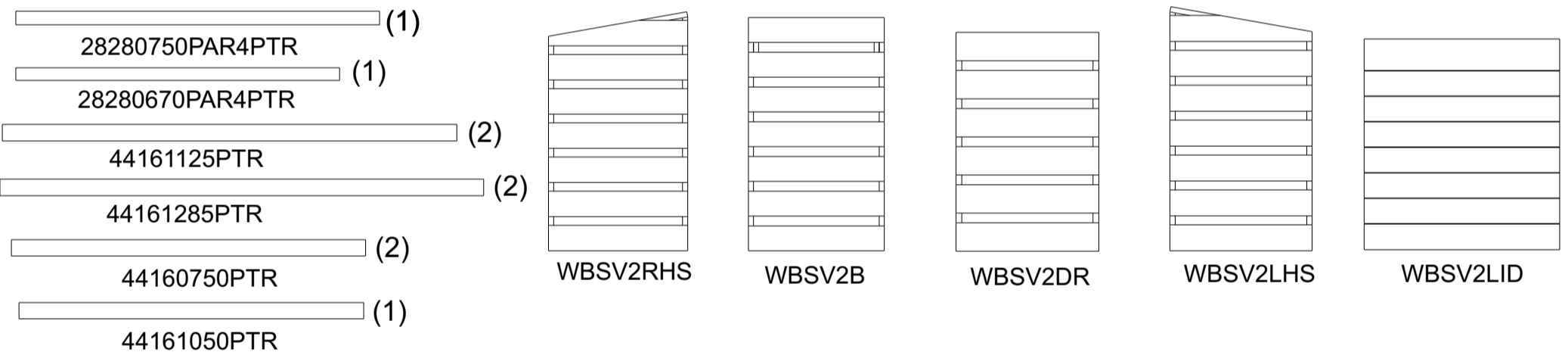
0109



JE

Thank you for choosing this product manufactured by the UK's largest manufacturer of timber garden products. In order to gain the most benefit from it, please note the following:

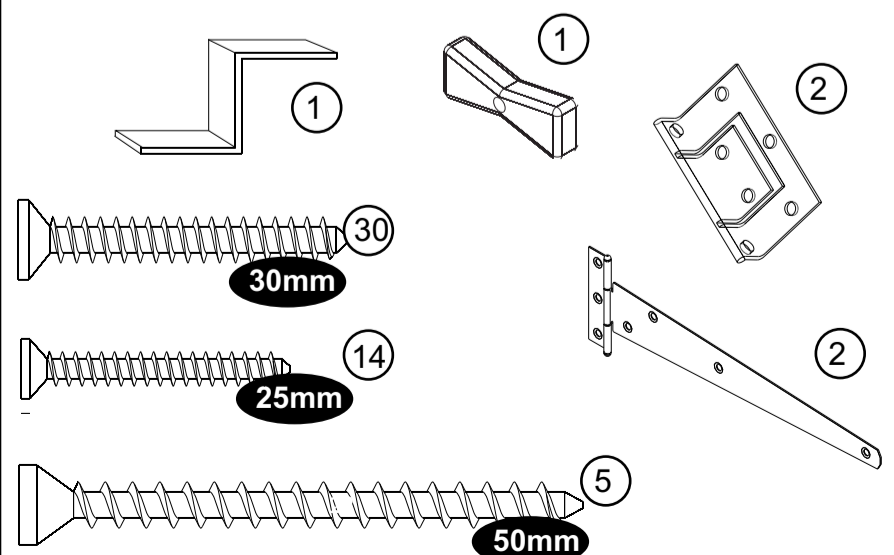
- Exercise particular care and follow instructions.
- This product is pressure treated. For extra protection from the elements we recommend that you treat your structure using a wood preservative treatment. Apply in accordance with the manufacturers instructions.
- Please ensure that you thoroughly check all component parts for quantity and quality before you commence building the product. If there are any missing parts, please contact the help line as shown immediately. The manufacturer cannot be held liable for damaged items once any part of the product has been fitted or altered in any way (e.g. Painted)
- Timber is a natural material. It will shrink and swell as a result of varying moisture content.
- Please keep all plastic bags and small parts away from children in order to reduce the risk of suffocation.
- If there are any technical queries with the product, please contact our customer help line on 0844 248 9853 between the hours of 8.30 am and 5.00 pm Monday to Friday.



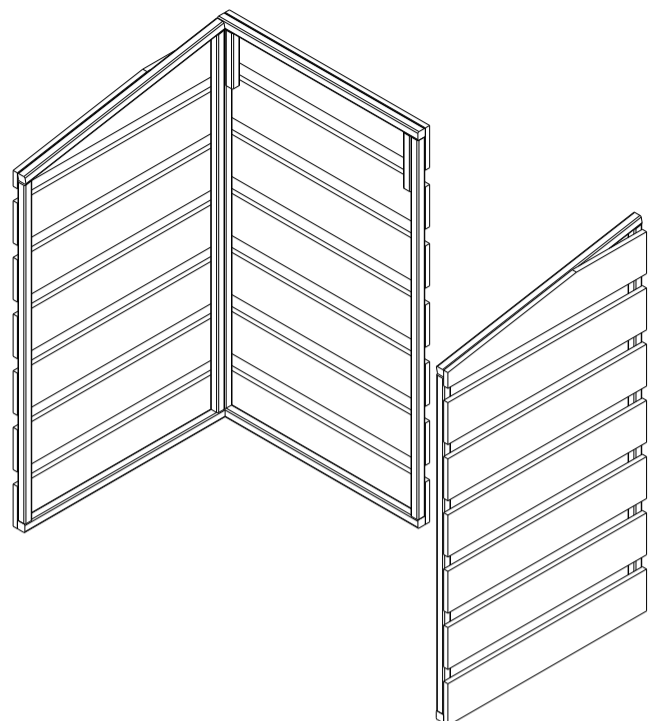
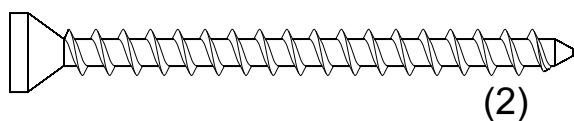
REQUIRED TOOLS : (NOT SUPPLIED)



WBSFP FIXING PACK

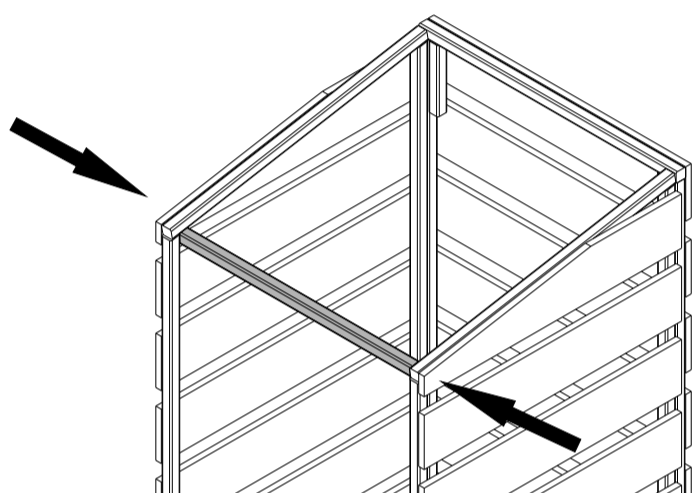
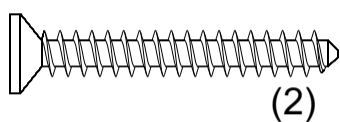


2



Repeat the same procedure as before, securing the **WBSV2RHS** to the **WBSV2B** using 2x50mm screws.

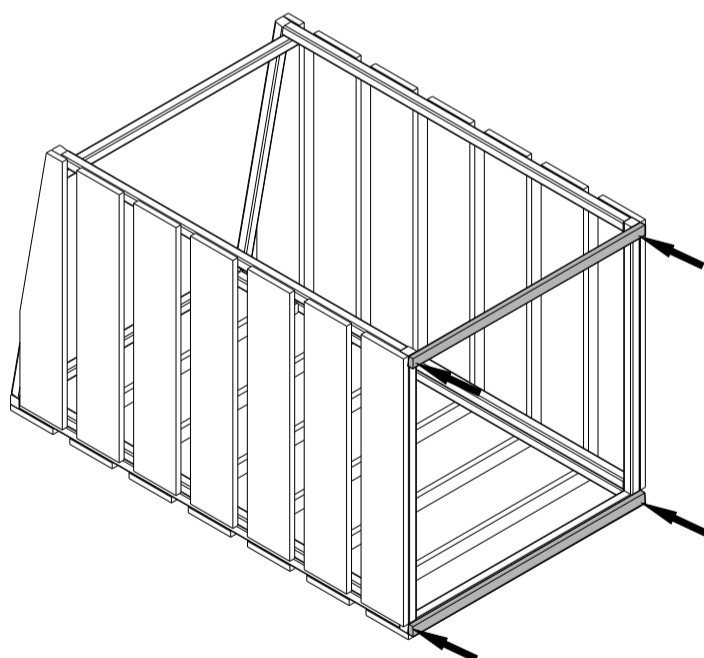
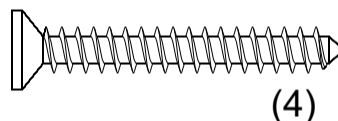
3



Fix the **28280750PAR4CRCTPTR** (batten) between the **WBSV2RHS** and the **WBSV2LHS**. The batten should be positioned towards the front as shown.

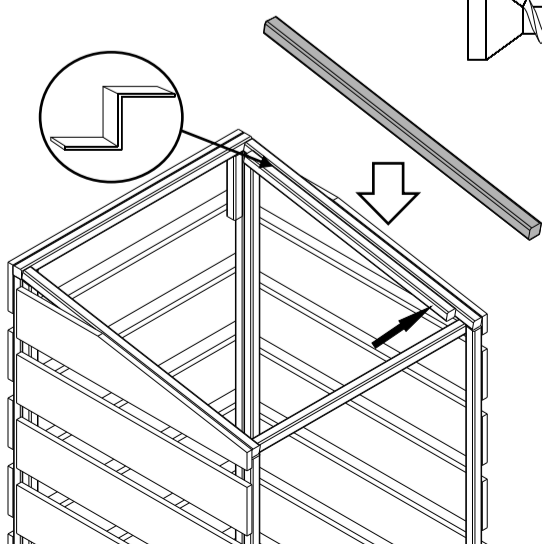
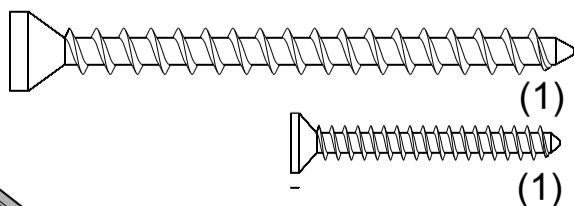
Fix in place using 2x30mm screws. Screwing through the outside of the panel into the end of the batten.

4



Lie the structure down as shown and place the two **44160750PTR** pieces across the bottom. One at the front and the other at the back as shown. Secure these in place using 2x30mm screws for each.

5

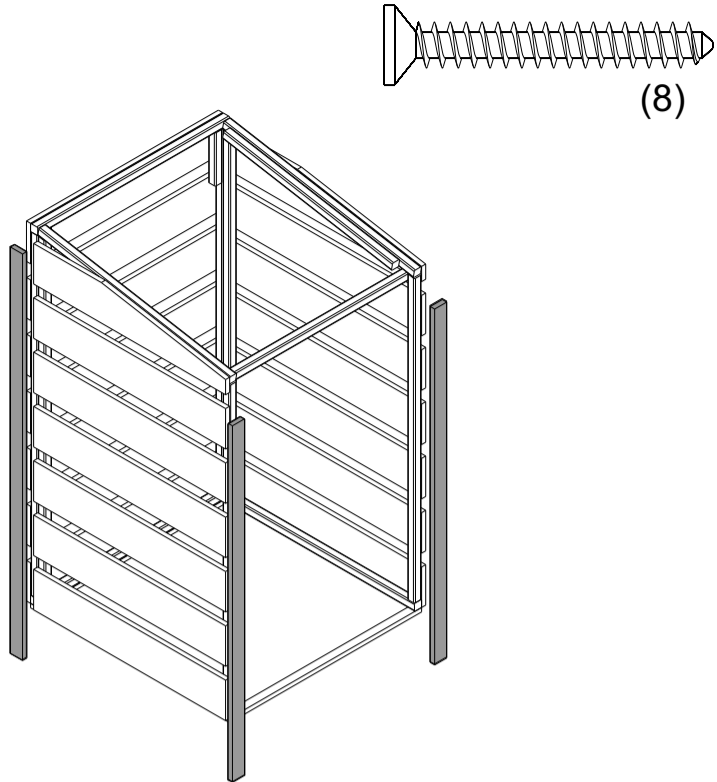


Place the **28280670PAR4CRCTPTR** (prop) against the inside of the **WBSV2RHS** and fix in place using 1x50mm screws towards the front of the structure.

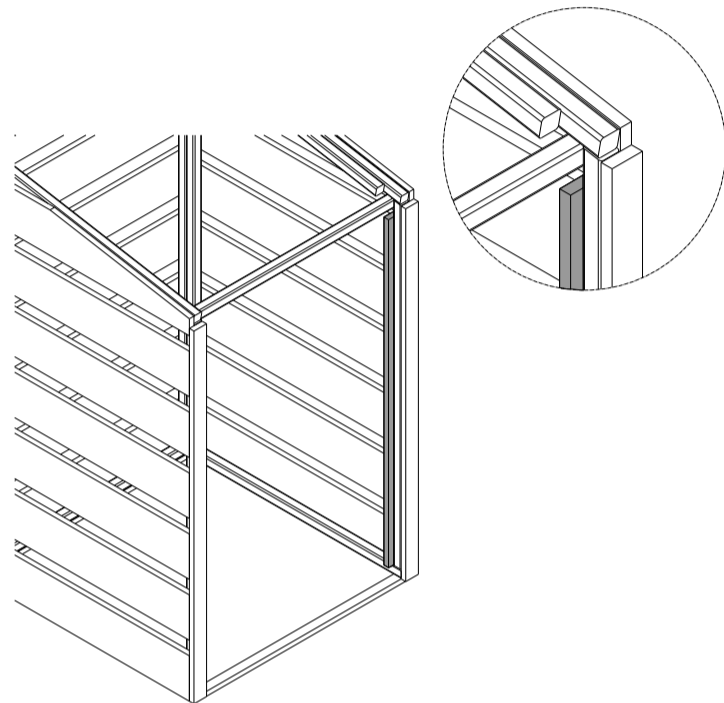
Make sure that it is loose enough to pivot.

Pivot the prop upwards and place the z-bracket against the inside of the **WBSV2RHS** so that the prop will rest on this when closed.

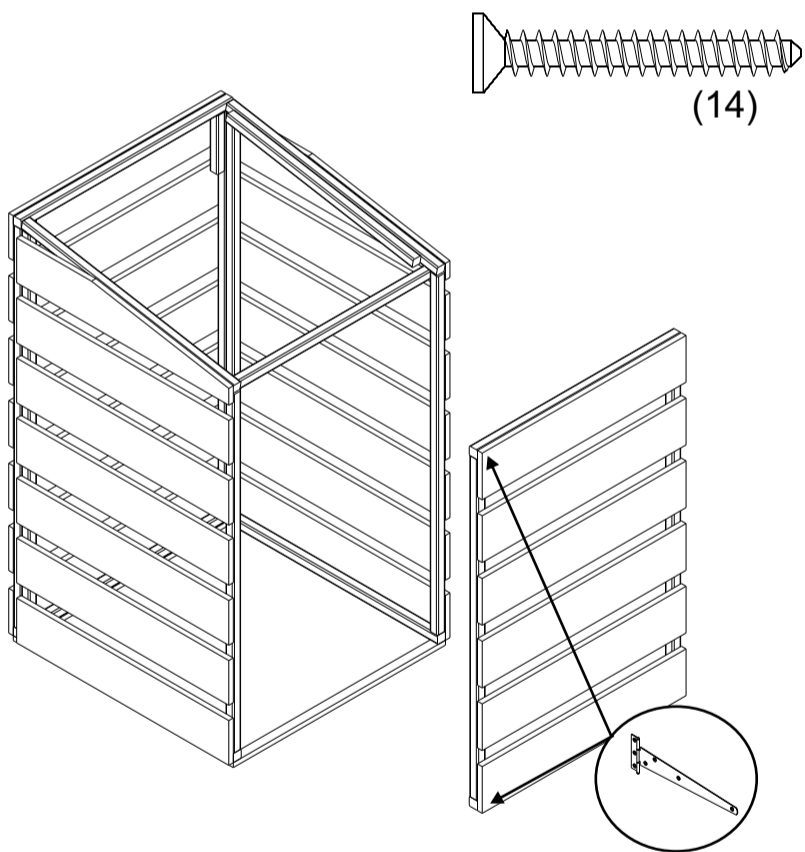
Secure the Z-bracket in place with a 25mm screw.

6

Position the two **44161125PTR**'s and the two **44161285PTR**'s around on the outside of the store making sure that they are flush with the sides. Fix each in place with 2x30mm screws.

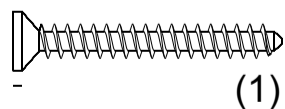
7

Place the **44161050PTR** against the inside of the **WBSV2RHS** as shown to act as a door stop. Make sure that it is tight in the corner. Secure in place with 2x30mm screws.

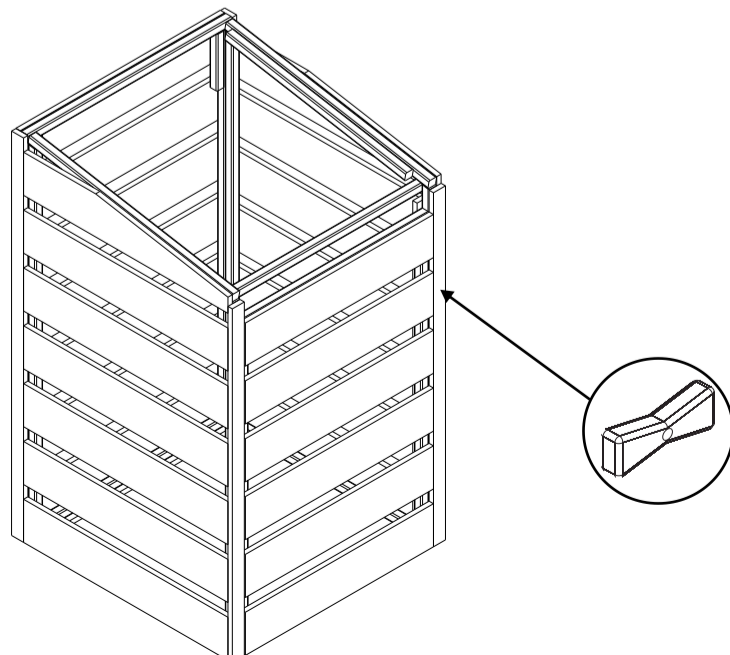
8

Fix two tee hinges to the **WBSV2DR**, screwing into the battens at the top and bottom of the **WBSV2DR** using 4x30mm screws per hinge.

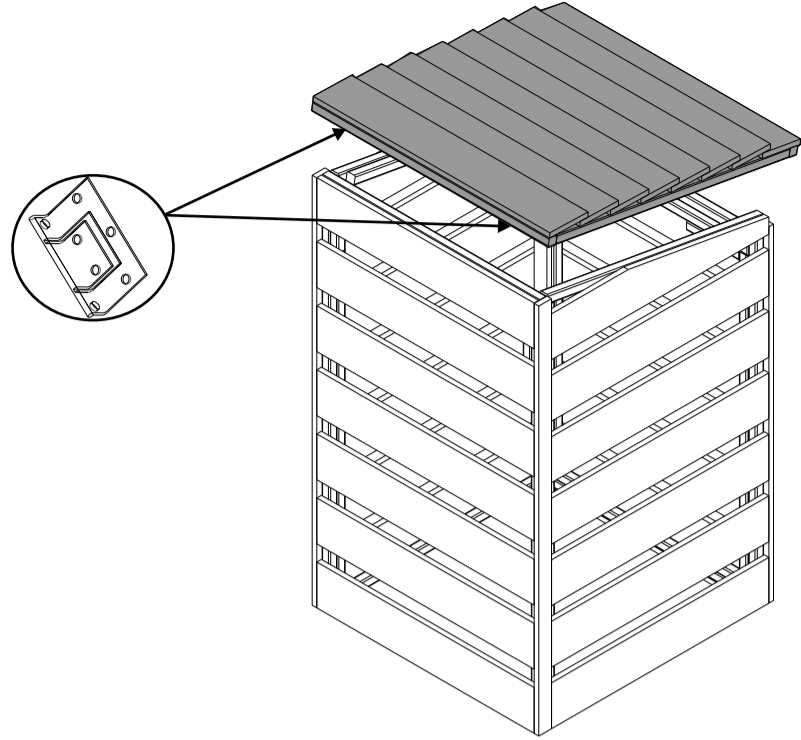
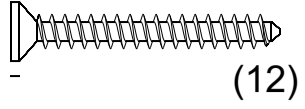
Attach the **WBSV2DR** to the **WBSV2LHS** by fixing the tee hinge in position using a further 3x30mm screws per hinge

9

Fix the Turn Button to the **44161125PTR** on the front of the store using 1x25mm screw. Make sure that it overlaps the **WBSV2DR** so that it will hold it closed.



10



Fix the two remaining hinges to the batten on the back of the **WBSV2LID** using 3x25mm screws per hinge.

Place the **WBSV2LID** on top of the store and secure in place by securing the hinge to the top batten of the WBSV2B using a further 3x25mm screws per hinge.

