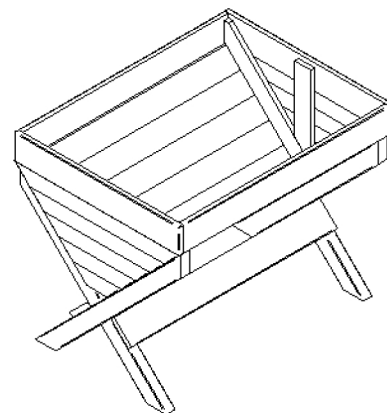
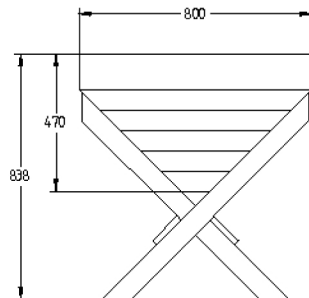
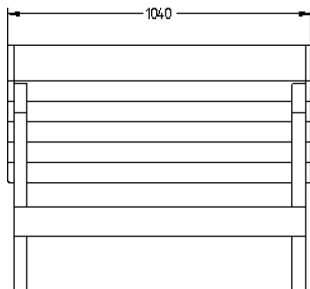
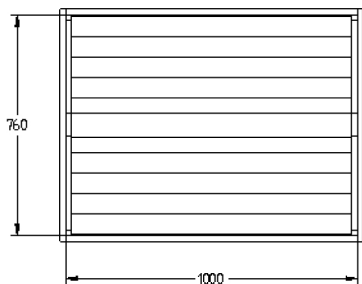


Issue 0110 06/01/2010 manufacturing notes updated
 Issue 0210 -02/02/2010 PACKING SPEC ADDED



KITCHEN GARDEN TROUGH - KGT



Item Number	Document Number	Title	Quantity
1'	KGTEP	KITCHEN GARDEN TROUGH END PANEL	2
2'	120201000PTR	BOARD 120x20x1000mm PTREAT	4
3'	119201000S2PTR	BOARD 119x20x1000mm SHAPED 2 EDGES PTREAT	10
4'	83201000S2PTR	BOARD 83x20x1000mm SHAPED 2 EDGES PTREAT	1
5'	70451000N42PTR	BATTEN 70x45x1000mm NOTCHED ANGLED PTREAT	4

MANUFACTURING NOTES:

MATERIAL : SOFTWOOD, MIXED SPECIES. ALL TIMBER MUST BE FSC CERTIFIED.
 FINISH : ALL TIMBER PLANED ALL ROUND
 TREATMENT : ALL TIMBER PRESSURE TREATED NO DYE. MUST BE CHROME FREE E.G. WOLMANIT/TAN-E
 TOLERANCE : ALL COMPONENTS +0 OR -2mm LENGTH / + OR -1mm WIDTH/THICKNESS.
 SHAPED JUTE LINER SUPPLIED