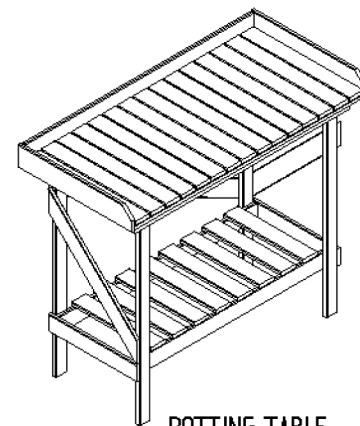


ISSUE 0209 - 04/08/09 - SHELF SUPPLIED IN COMPONENT FORM, NOT ASSEMBLED  
 ISSUE 0309 - 20/08/09 - SHELF LOWERED AND ADDITION BRACES ADDED  
 ISSUE 0409 - 20/08/09 - ADDITION BACK BRACES  
 ISSUE 0509 - 10/11/09 - DRAWING UPDATE  
 ISSUE 0110 - 29/01/10 - PACKING SPEC ADDED AND FIXING PACK CONTENTS ADDED  
 ISSUE 0210 - 08/02/10 - 68150673A2PTR QTY 2 REPLACED WITH 68150633A2PTR QTY 2  
 ANGLED CHANGED TO 45 DEGREES. 68151045A2PTR QTY 2 REMOVED FROM PBTOP AND  
 ADDED TO LOOSE ITEMS. PACKING SPEC AND FIXING PACK CONTENTS REVISED  
 ISSUE 0309 - 09/02/10 - TABLES TO SHOW LOOSE ITEMS PACKS ON PACKING SPEC ADDED.



POTTING TABLE - PTWB

Fixing Pack Contents	
Description	Qty
3.5 x 30mm screw ZYP	36
3.5 x 40mm screws ZYP	6

MATERIAL: MUST BE SOFT WOOD MIXED SPECIES AND FSC CERTIFIED.  
 FINISH: PLAINED ALL ROUND AND END CUTS FINELY SAWN  
 TREATMENT: PRESSURE TREATMENT (NO DYE) MUST BE CHROME FREE  
 TOLERANCE: ALL COMPONENTS TO BE + OR -2mm ON LENGTH AND + OR -1mm  
 ON THICKNESS

**Additional Manufacturing Notes :**

Treatment must be Chrome Free no dye. Hardware used should be either stainless steel (grade 316), carbon steel with high performance coating, copper, silicone bronze or hot dipped galvanized steel to BS7371 p16. Any hardware coating should not be damaged by nail's staple application. No protruding screws. No screw heads proud.

Item Number	Document Number	Title	Quantity
2'	4 9200850PTR	BATTEN 4 9x20x650mm PTREAT	4
3'	68150400PTR	BATTEN 68x15x400mm PTREAT	2
11'	68150633A2PTR	BATTEN 68x15x633mm ANGLED BOTH ENDS PTREAT	2
12'	68151044A2PTR	BATTEN 68x15x1044mm ANGLED BOTH ENDS PTREAT	1
13'	PBSHELF	POTTING BENCH SHELF	1
14'	PBTOP	POTTING BENCH TOP	1
15'	68151045A2PTR	BATTEN 68x15x1045mm ANGLED PTREAT	2